



TRAXON Pro*

Washer Pro Maxi AC RGBW

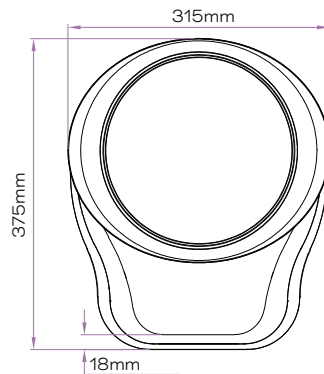
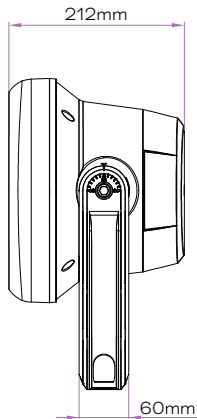


The Washer Pro Maxi AC is part of a new, industry leading Wall Washer family of products producing high brightness, and high color saturation out of an extremely small form. Controlled via DMX512, with RDM, and paired with Traxon's DynaMood® technologies, the Traxon Washer Pro enables a selection of algorithms to define the lighting, and set the emotions of your lighting project.

The Maxi offering provides multiple wattage/output options.

This product is intended for use in high-quality colored light applications.

Dimensions



Project: _____

Type: _____



IP66



COAST



DMX 512



ANSI 3G



IK08

Technologies

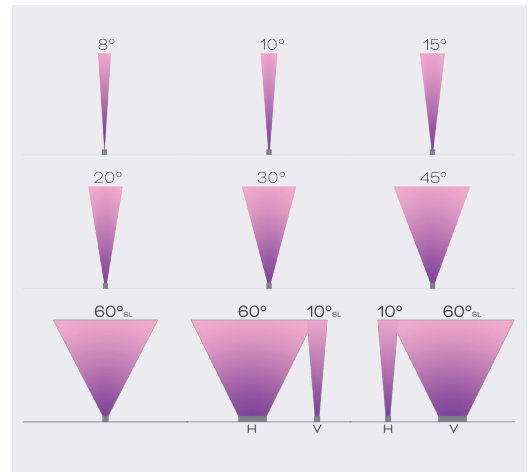
- RDM enabled



Color Options



Beam Angles



Finish



Product Specifications

Model	Washer Pro Maxi AC RGBW
Light Source	4-in-1 LED cluster x 12
Color Range	RGBW (W=6500K)
LED Quantity	RGBW 4-in-1 LED 12pcs
Luminous Flux	7815 lm (full on 10°)
Candela	167070 cd (full on 10°)
Efficacy	54 lm/W (full on 10°)
CRI	≥80
Beam Angles ¹	8°, 10°, 15°, 20°, 30°, 45° native 60°, 60° x 10° (or 10° x 60°) achieved with spread lens
Cover Lens	Tempered Glass
Housing	Die Cast Aluminum
Housing Finish Options ²	Standard color: Traxon Signature Gray (RAL7005) Optional color: Gray (RAL7015), Black (RAL9005), White (RAL9003), Custom
Adjustment Options	-5° to + 95°
Mounting	Mounting via Yoke arm. Optional mounting accessories are available
Dimensions (W x D x H)	315mm x 212mm x 375mm
Weight	10.6kg
EPA	Front: 0.95 sq.ft Side: 0.72 sq.ft
Regulatory Listing & Safety Approval	CE, UKCA, ANSI C136.31-3G
Operating Temperature	-30°C to +55°C (-22°F to +131°F)
Minimum Starting Temperature	-20°C (-4°F)
Storage Temperature	-40°C to +80°C (-40°F to +176°F)
Environment	Outdoor, IP66, IK08, IK10 with Rock Guard, Coastal Environment (ASTM B117-16)
Humidity	85%, non-condensing

Electrical Specifications

Input Voltage ³	220-240V AC 50/60Hz
Power Consumption ⁴	150 W
Lumen Maintenance	L70 81000hrs @ 25°C
Power Factor	> 0.9

System Specifications

Power	AC Line
Control	DMX 512, RDM Enabled Dynamood Personalities: White balance mode (Default), Equal current mode, 16-bit, RGB, Boost one and Dynamic boost
Power Supply	Integrated
Maximum number of daisy chain fixture per input power line	23PCS@220V AC

¹ Spread lens assembled on 10° fixture.

² Custom RAL Housing available by request. MOQ and additional costs may apply. Consult with your regional Traxon Office for more information.

³ Single phase (line, neutral and ground).

⁴ The power can be set in the factory to achieve a fixed maximum power output to match project specifications and environmental targets (Washer Pro Maxi: 100W-150W).

LED CHARACTERISTICS Because LEDs are semiconductor devices, their performances are subject to inherent variability commonly found in semiconductor industry. To improve consistency in performance across the same product, LED manufacturers "sort" LEDs into bins according to different preset parameters, such as forward driving voltage, illumination, etc. Whereas binning is a sorting function, it is not a correction process. Inherent variability in the manufacturing process results always in different binning distributions according to different production lots. Traxon uses automatically binned LEDs on its products, thereby minimizing output variations within the model range.

As with all electronic devices, LED output degrades over time – a term called lumen depreciation. This also explains why it is nearly impossible to expect photometric performances of two LED products with different service life spans to be the same. The rate of LED degrade is a complicated function of many factors such as operating efficiency, duration of continuous operation, and more significantly, environmental conditions (ambient temperature for example). If allowed working under optimal operating temperature range and with good ventilation, LED devices enjoy long service lives over conventional light sources. When using/installing LED devices, care should be taken to ensure that the devices will operate within the operating conditions specified in respective product literature.

This product contains a light source of energy efficiency class G to Regulation (EU) No 2019/2015.

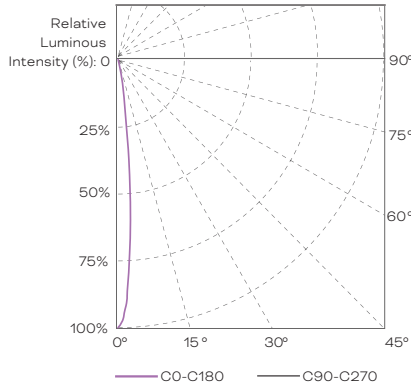
Lumen measurement complies with LM-79-08 standard.

Lumen maintenance is calculated based on LM-80 compliant measurement.

Source Specifications

Source	RGBW 4-in-1 LED x 12
Optics	10°

Candela Distribution



Light Output

Color	Luminous Flux (lm)	Center Intensity (cd)	Efficacy (lm/W)
RGBW (full-on)	7815	167070	54
RGB	4419	94461	43
Red	1367	29226	30
Green	3182	68012	55
Blue	100	2135	6
White	3966	84771	65

Luminaire setting: White-balance mode.

Illuminance at a Distance

	Center Beam LUX/klm	Beam Width	
5m	846	0.91m / 3'	16.4'
10m	212	1.82m / 6'	32.8'
15m	94	2.73m / 9'	49.2'
20m	53	3.64m / 11.9'	65.6'
25m	34	4.55m / 14.9'	82'
30m	24	5.46m / 17.9'	98.4'

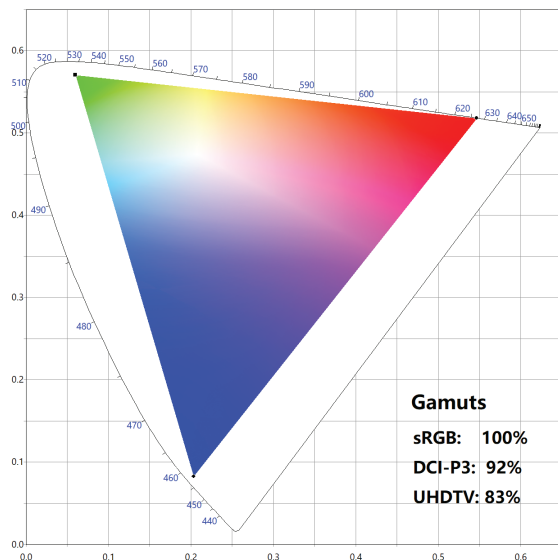
For fc divide by 10.7

Horiz.Spread: 10.4°

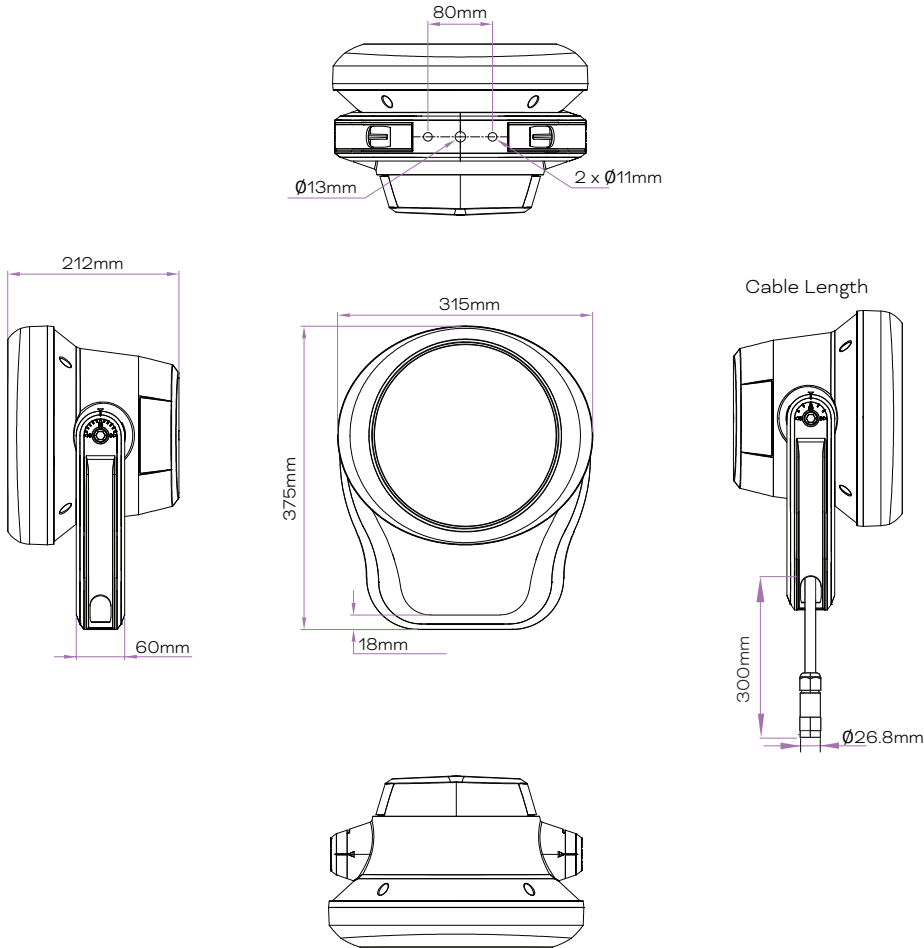
IES and LDT files are available for download from the Traxon website.

Color	Distance	Illuminance	
		LUX	FC
RGBW (full-on)	5m / 16.4'	6611	618
	10m / 32.8'	1657	155
	15m / 49.2'	735	69
	20m / 65.6'	414	39
	25m / 82'	266	25
30m / 98.4'	188	18	
RGB	5m / 16.4'	3738	349
	10m / 32.8'	937	88
	15m / 49.2'	415	39
	20m / 65.6'	234	22
	25m / 82'	150	14
30m / 98.4'	106	10	
Red	5m / 16.4'	1156	108
	10m / 32.8'	290	27
	15m / 49.2'	128	12
	20m / 65.6'	72	7
	25m / 82'	46	4
30m / 98.4'	33	3	
Green	5m / 16.4'	2692	252
	10m / 32.8'	675	63
	15m / 49.2'	299	28
	20m / 65.6'	169	16
	25m / 82'	108	10
30m / 98.4'	76	7	
Blue	5m / 16.4'	85	8
	10m / 32.8'	21	2
	15m / 49.2'	9	1
	20m / 65.6'	5	0.5
	25m / 82'	3	0.3
30m / 98.4'	2	0.2	
White	5m / 16.4'	3355	315
	10m / 32.8'	841	79
	15m / 49.2'	373	35
	20m / 65.6'	210	20
	25m / 82'	135	13
30m / 98.4'	95	9	

RGBW Gamut and Range



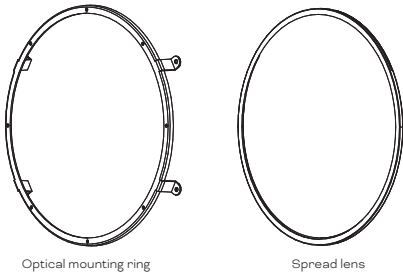
Fixture Dimensions



Optical Accessories

Spread Lens Kit

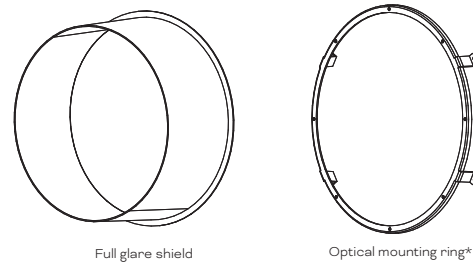
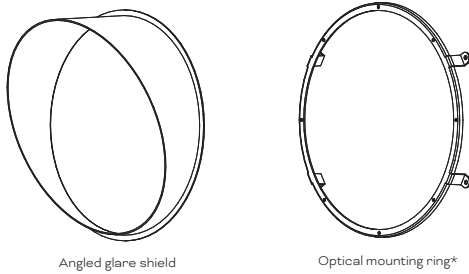
Washer Pro Spread Lens Kit 60° Maxi (WP.SM.503000)
 Washer Pro Spread Lens Kit 60x10° Maxi (WP.SM.504000)



Glare Shield

Washer Pro Glare Shield Angled Kit Maxi (WP.AG.500000)

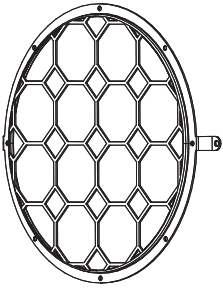
Washer Pro Glare Shield Full Kit Maxi (WP.FG.500000)



* Optical mounting ring included with glare shield's for spacing of the accessory.

Rock Guard

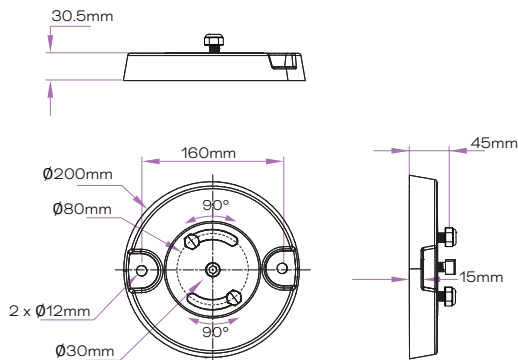
Washer Pro Rock Guard Maxi (WP.RG.500000)



Mounting Accessories

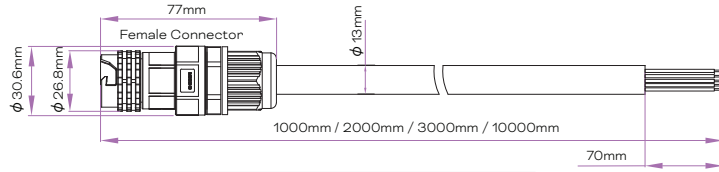
Rotatable Mount Plate

Washer Pro Rotatable Mount Plate Midi / Maxi (WP.RP.400000)



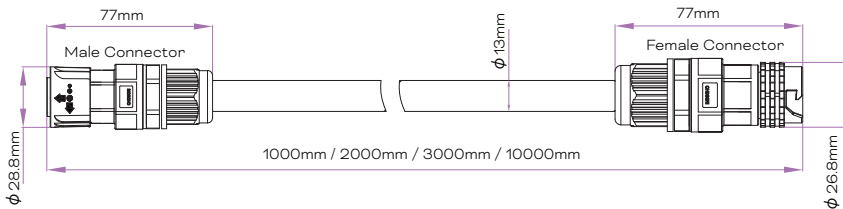
Connection Accessories

Washer Pro Mini / Midi / Maxi AC Starter Cable (CE) (CA.SC.CC301000 / CA.SC.CC302000 / CA.SC.CC303000 / CA.SC.CC310000)



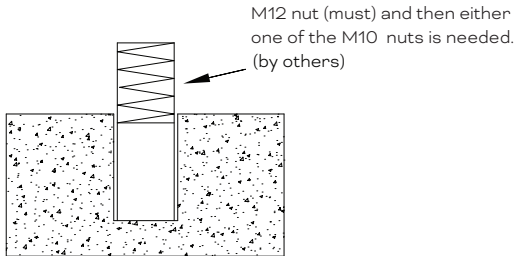
Cable color connection	
Female connector	
Brown	Green / Yellow
Blue	Black
Black	Gray
	Legend:
	Black: DMX+
	Gray: DMX-
	Brown: Line
	Blue: Neutral
	Green / Yellow: PE

Washer Pro Mini / Midi / Maxi AC Interconnection Cable (CE) (XE.IG.0100000 / XE.IG.0200000 / XE.IG.0300000 / XE.IG.1000000)



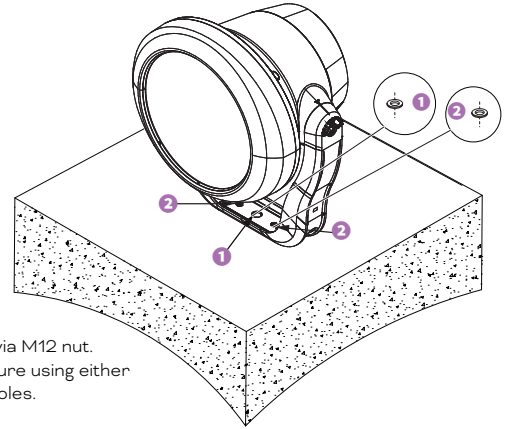
Cable color connection	
Male connector	Female connector
Blue	Green / Yellow
Green / Yellow	Brown
Brown	Black
Gray	Gray
	Legend:
	Black: DMX+
	Gray: DMX-
	Brown: Line
	Blue: Neutral
	Green / Yellow: PE

Install expansion screws on the fixed surface



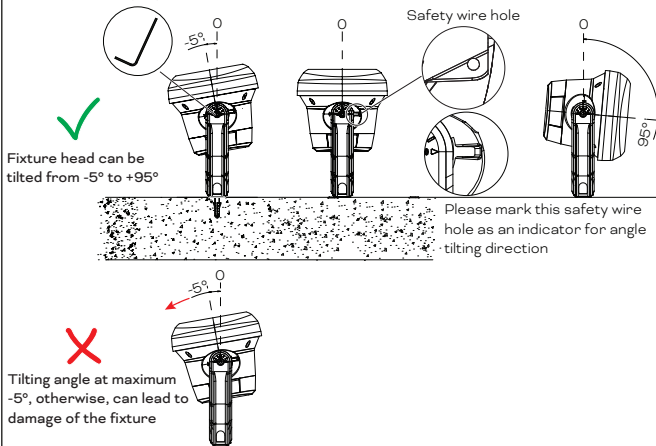
The size of the bracket mounting holes determines the size of the holes to be punched.

Fix the bracket

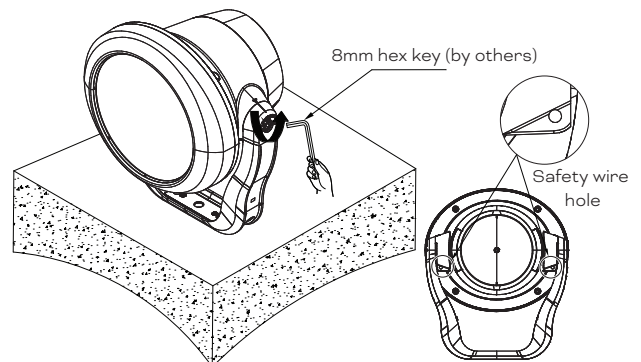


Adjust desired angles

5mm hex key (by others)

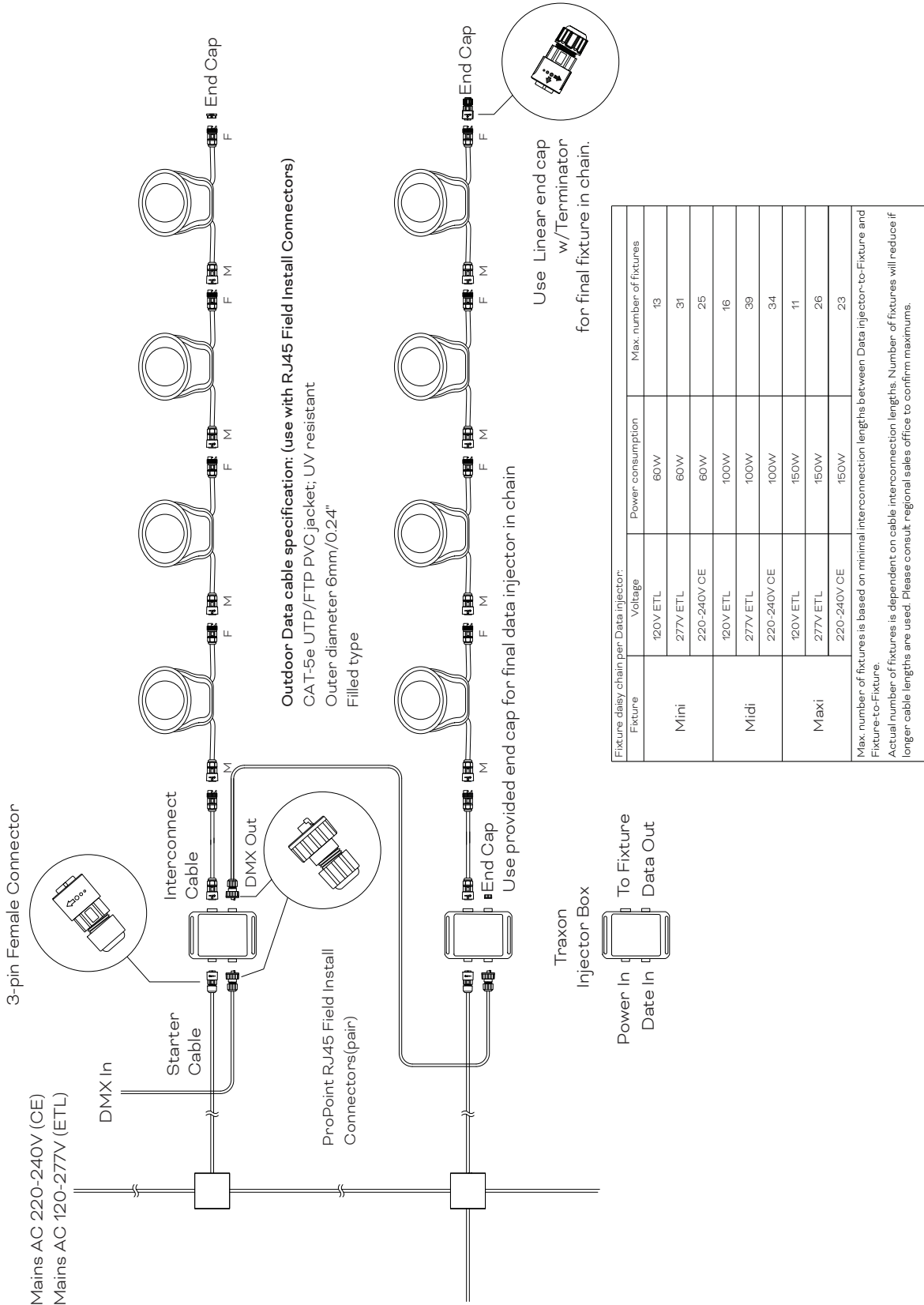


Tighten the bracket bolts to fix the luminaire to the desired angle



The safety wire must be installed to provide secondary protection to prevent fixtures from falling and injuring people.

Wiring Diagram with Injector Box



Cable/Connector for AC fixture

Model No.	Description	Item Code
PP.A2.303000	3M TX-INJ (CC) POWER INPUT CABLE CE	AM374840055
XE.IG.0100000	1M AL INTERCONNECTION CABLE CC CE	AM473670055
XE.IG.0200000	2M AL INTERCONNECTION CABLE CC CE	AM473660055
XE.IG.0300000	3M AL INTERCONNECTION CABLE CC CE	AM473650055
XE.IG.1000000	10M AL INTERCONNECTION CABLE CC CE	AM473640055
CA.SC.CC301000	STARTER CABLE CC AC 5-PIN 1M CE	DA23100149755
CA.SC.CC302000	STARTER CABLE CC AC 5-PIN 2M CE	DA23100149855
CA.SC.CC303000	STARTER CABLE CC AC 5-PIN 3M CE	DA23100149955
CA.SC.CC310000	STARTER CABLE CC AC 5-PIN 10M CE	DA23100150055
PP.AC.600000	AL END CAP W/TERM (CC)	AM380550055

Spread Lens

Model No.	Description	Item Code
WP.SM.503000	W PRO SL KIT 60° MAXI	DA23100028855
WP.SM.504000	W PRO SL KIT 60x10° MAXI	DA23100029855

Glare Shield

Model No.	Description	Item Code
WP.AG.500000	W PRO GS ANGLED KIT MAXI	DA23100030855
WP.FG.500000	W PRO GS FULL KIT MAXI	DA23100031655
WP.AG.500100	W PRO GS ANGLED KIT MAXI Gray	DA23100150655
WP.FG.500100	W PRO GS FULL KIT MAXI Gray	DA23100151155
WP.AG.500200	W PRO GS ANGLED KIT MAXI Black	DA23100151655
WP.FG.500200	W PRO GS FULL KIT MAXI Black	DA23100152155
WP.AG.500300	W PRO GS ANGLED KIT MAXI White	DA23100152655
WP.FG.500300	W PRO GS FULL KIT MAXI White	DA23100153155

Rock Guard

Model No.	Description	Item Code
WP.RG.500000	W PRO RG MAXI	DA23100032455
WP.RG.500100	W PRO RG MAXI Gray	DA23100153455
WP.RG.500200	W PRO RG MAXI Black	DA23100153755
WP.RG.500300	W PRO RG MAXI White	DA23100154055

Rotatable Mount Plate

Model No.	Description	Item Code
WP.RP.400000	W PRO RP MIDI / MAXI	DA23100032855
WP.RP.400100	W PRO RP MIDI / MAXI Gray	DA23100154455
WP.RP.400200	W PRO RP MIDI / MAXI Black	DA23100154855
WP.RP.400300	W PRO RP MIDI / MAXI White	DA23100155255

Others

Model No.	Description	Item Code
On demand / Coming soon	Post Mount	On demand / Coming soon
On demand / Coming soon	Compression Post Mount	On demand / Coming soon
On demand / Coming soon	Extendable Mounting Arm	On demand / Coming soon
On demand / Coming soon	Pendant Mount	On demand / Coming soon
On demand / Coming soon	Tree Mount	On demand / Coming soon

