



# TRAXON

Date: \_\_\_\_\_ Quantity: \_\_\_\_\_

Company: \_\_\_\_\_

Project: \_\_\_\_\_



## Allegro Dot M CW Allegro Dot L CW

Allegro Dot CW is the next generation of intelligent media dot family. It is an extra bright Cold White clear or diffused dot. The dots can provide advanced features and flexibility for lighting design and project execution. Customizable pitch containing up to 60 dots max in Dot M and 56 dots max in Dot L.



### Product Specifications

Model	Allegro Dot M CW Direct View	Allegro Dot M CW Diffused View	Allegro Dot L CW Direct View	Allegro Dot L CW Diffused View
Light Source	6 White LEDs per dot		8 White LEDs per dot	
Beam Angle	110°	150°	110°	150°
Luminous Flux <sup>1</sup>	185 lm	167 lm	298 lm	260 lm
Efficacy <sup>1</sup>	96 lm/W	87 lm/W	94 lm/W	82 lm/W
Cover Lens	Clear (PC)	Diffuser dome (PC)	Clear (PC)	Diffuser dome (PC)
LED Pitch	150mm to 4000mm; Standard: 150mm			
Housing	Die cast aluminum with PC cover			
Adjustment Options	Flexible cable			
Dimensions (Ø x L x H)	Ø68 x 60 x 17mm Ø2.7" x 2.4" x 0.7"	Ø68 x 60 x 39mm Ø2.7" x 2.4" x 1.5"	Ø68 x 60 x 17mm Ø2.7" x 2.4" x 0.7"	Ø68 x 60 x 39mm Ø2.7" x 2.4" x 1.5"
Weight	80g	90g	80g	90g
Regulatory Listing & Safety Approval	CE, 3G ANSI C136.31			
Operating Temperature	-30°C to +60°C/-22°F to +140°F			
Storage Temperature	-40°C to +70°C/-40°F to +158°F			
Environment	Outdoor (IP66, IP67), suitable for coastal environments			
Humidity	0 to 90% non-condensing			

### Electrical Specifications

Operating Voltage	30V DC		
Power Consumption <sup>1</sup>	2W		3W

### System Specifications

Control	DMX512/e:pix/RDM/e:net
Power Supply	LED ENG 240W 30V IP67 AL DO/LED ENG 185W 30V IP67 AL DO/ LED ENG 100W 30V IP67 AL DO
Addressing Options	Auto-Addressing

#### 1. Measurement per dot.

**LED CHARACTERISTICS** Because LEDs are semiconductor devices, their performances are subject to inherent variability commonly found in semiconductor industry. To improve consistency in performance across the same product, LED manufacturers "sort" LEDs into bins according to different preset parameters, such as forward driving voltage, illumination, etc. Whereas binning is a sorting function, it is not a correction process. Inherent variability in the manufacturing process results always in different binning distributions according to different production lots. Traxon uses automatically binned LEDs on its products, thereby minimizing output variations within the model range.

As with all electronic devices, LED output degrades over time – a term called lumen depreciation. This also explains why it is nearly impossible to expect photometric performances of two LED products with different service life spans to be the same. The rate of LED degrade is a complicate function of many factors such as operating efficiency, duration of continuous operation, and more significantly, environmental conditions (ambient temperature for example). If allowed working under optimal operating temperature range and with good ventilation, LED devices enjoy long service lives over conventional light sources. When using/installing LED devices, care should be taken to ensure that the devices will operate within the operating conditions specified in respective product literature.

Lumen measurement complies with LM-79-08 standard.  
Lumen maintenance is calculated based on LM-80 compliant measurement.



www.traxon-ecue.com

©2023 TRAXON TECHNOLOGIES - AN OSRAM BUSINESS. ALL RIGHTS RESERVED. TRAXON™, TX CONNECT®, ARE TRADEMARKS OF TRAXON TECHNOLOGIES. U.S. PATENTS, E.U. PATENTS, JAPAN PATENTS, OTHER PATENTS PENDING. SPECIFICATIONS ARE SUBJECT TO CHANGE WITHOUT NOTICE.



# TRAXON

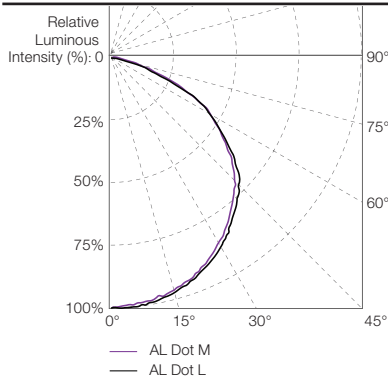
## Allegro Dot M CW Allegro Dot L CW

## Photometrics

### Source Specifications

<b>Source</b>	6 LEDs packaged in White (One AL Dot M)	8 LEDs packaged in White (One AL Dot L)
<b>Optics</b>	110° (Clear cover)	

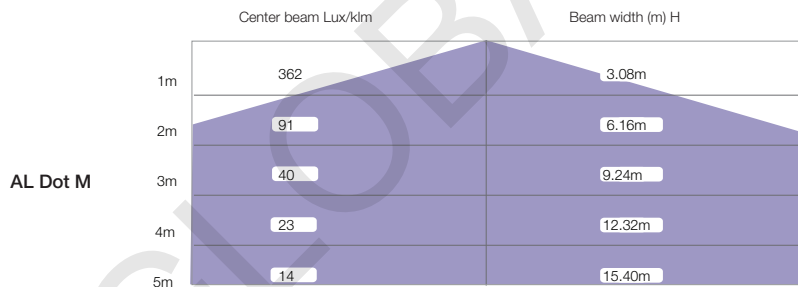
### Candela Distribution



### Light Output

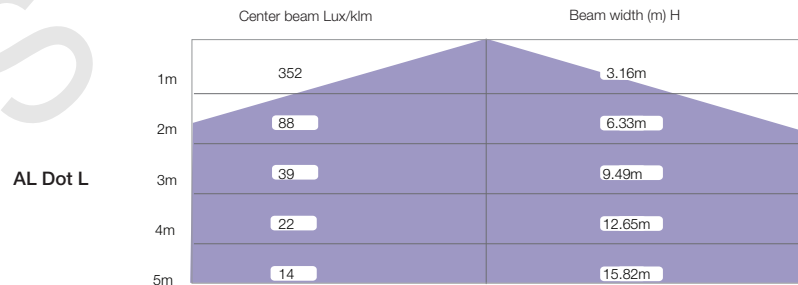
	Color	Luminous Flux (lm)	Candela Distribution at 100%	Efficacy (lm/W)
<b>AL Dot M</b>	White	185.19	67.07	96.45
<b>AL Dot L</b>	White	297.7	104.85	93.91

### Illuminance at a Distance



For fc divide by 10.7  
IES and LDT files are available for download from the Traxon website.

● Horiz. Spread: 114.0°  
For feet multiply by 3.28



For fc divide by 10.7  
IES and LDT files are available for download from the Traxon website.

● Horiz. Spread: 115.4°  
For feet multiply by 3.28



# TRAXON

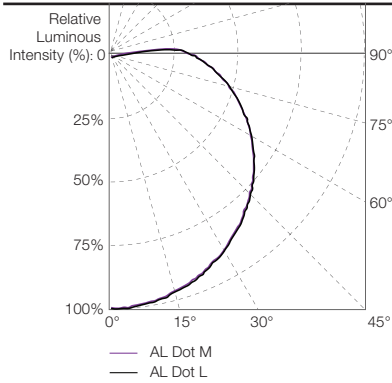
## Allegro Dot M CW Allegro Dot L CW

## Photometrics

### Source Specifications

<b>Source</b>	6 LEDs packaged in White (One AL Dot M)	8 LEDs packaged in White (One AL Dot L)
<b>Optics</b>	150° (Diffuser Dome cover)	

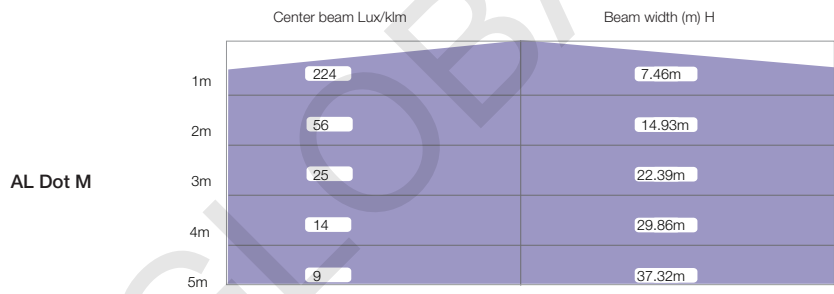
### Candela Distribution



### Light Output

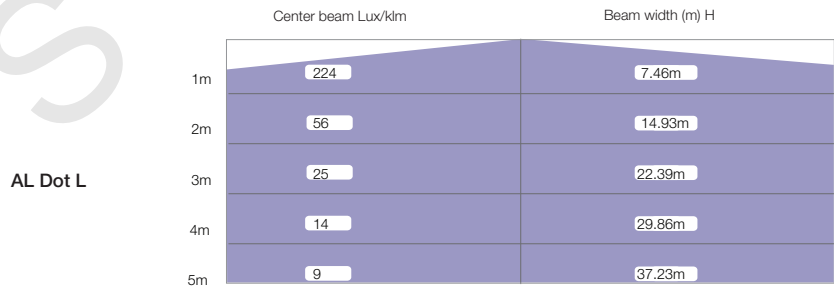
	Color	Luminous Flux (lm)	Candela Distribution at 100%	Efficacy (lm/W)
AL Dot M	White	166.67	37.33	86.81
AL Dot L	White	260.06	58.24	82.04

### Illuminance at a Distance



For fc divide by 10.7      Horiz.Spread: 150.0°  
For feet multiply by 3.28

IES and LDT files are available for download from the Traxon website.



For fc divide by 10.7      Horiz.Spread: 150.0°  
For feet multiply by 3.28

IES and LDT files are available for download from the Traxon website.

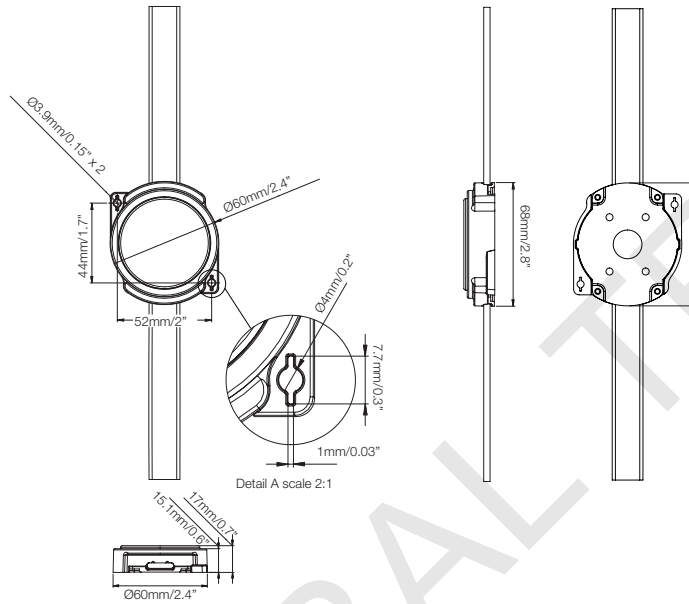


# TRAXON

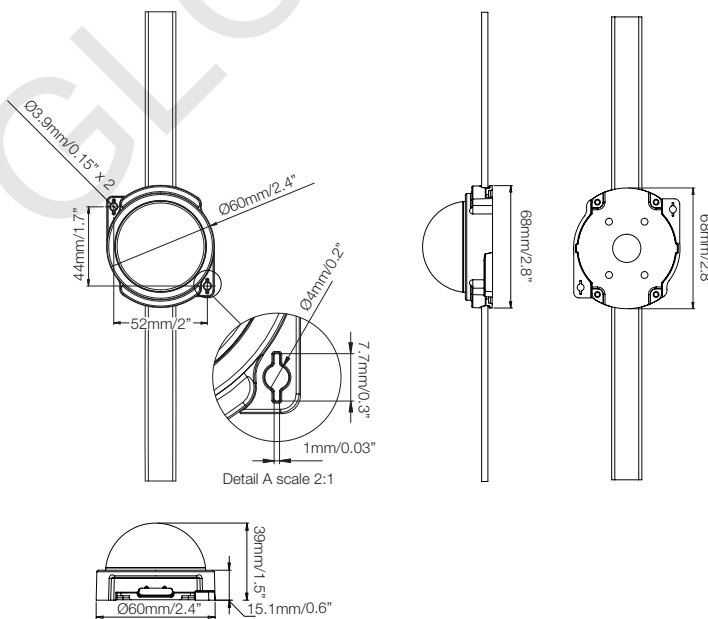
Allegro Dot M CW  
Allegro Dot L CW

Dimensions

## Dot M/ L Direct View



## Dot M/ L Diffused View



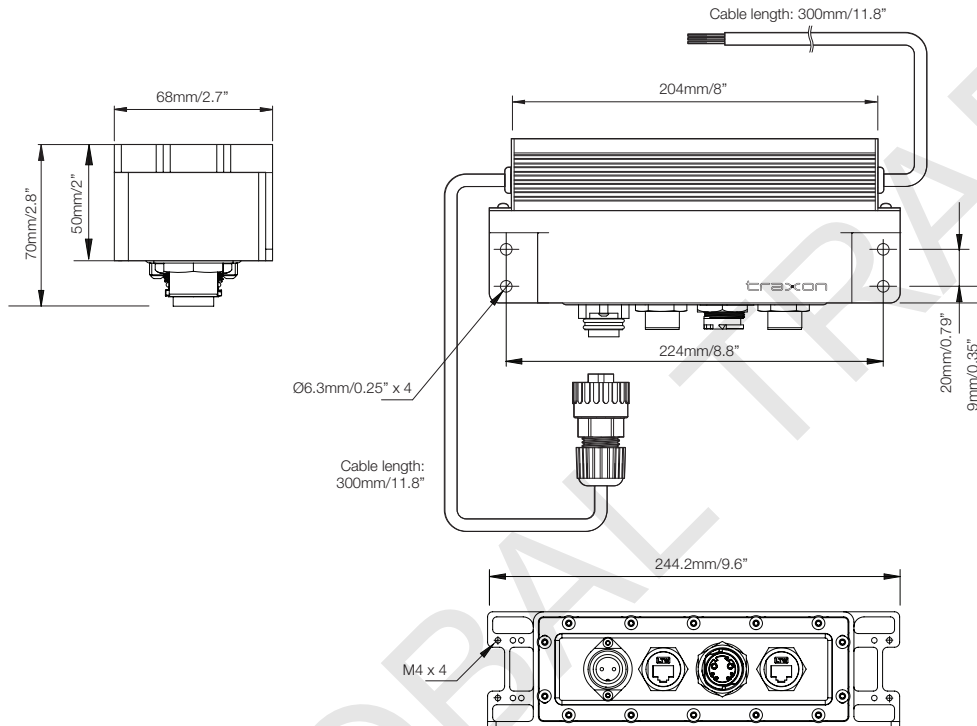


# TRAXON

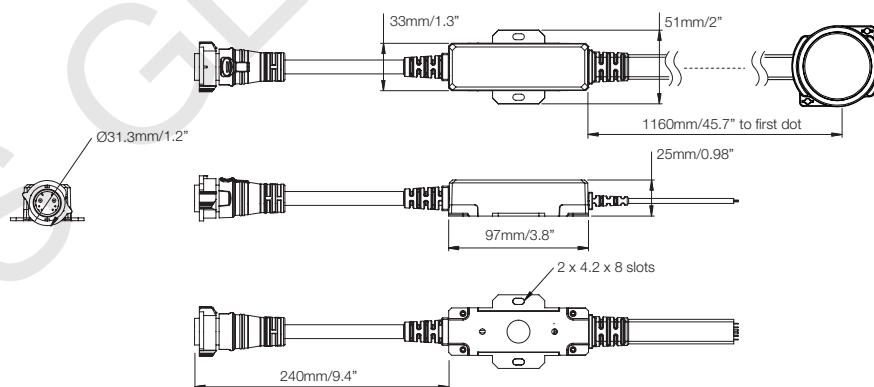
Allegro Dot M CW  
Allegro Dot L CW

Dimensions

## Pixel Distributor with Power Supply



## Dot M/ L Smart Junction



[www.traxon-ecue.com](http://www.traxon-ecue.com)

©2023 TRAXON TECHNOLOGIES - AN OSRAM BUSINESS. ALL RIGHTS RESERVED. TRAXON™, TX CONNECT®<sup>®</sup>, ARE TRADEMARKS OF TRAXON TECHNOLOGIES. U.S. PATENTS, E.U. PATENTS, JAPAN PATENTS, OTHER PATENTS PENDING. SPECIFICATIONS ARE SUBJECT TO CHANGE WITHOUT NOTICE.

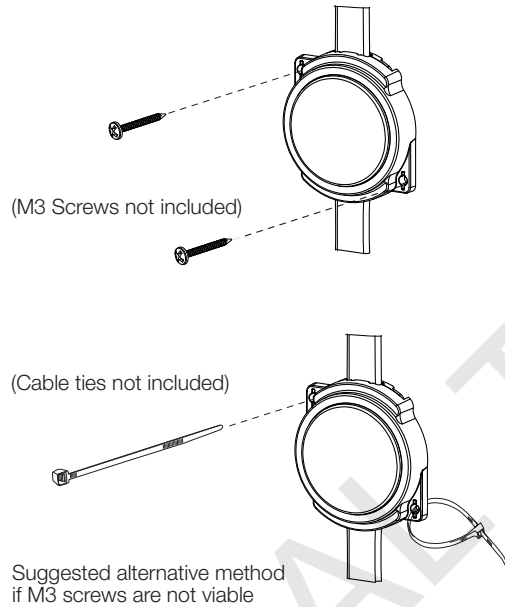


# TRAXON

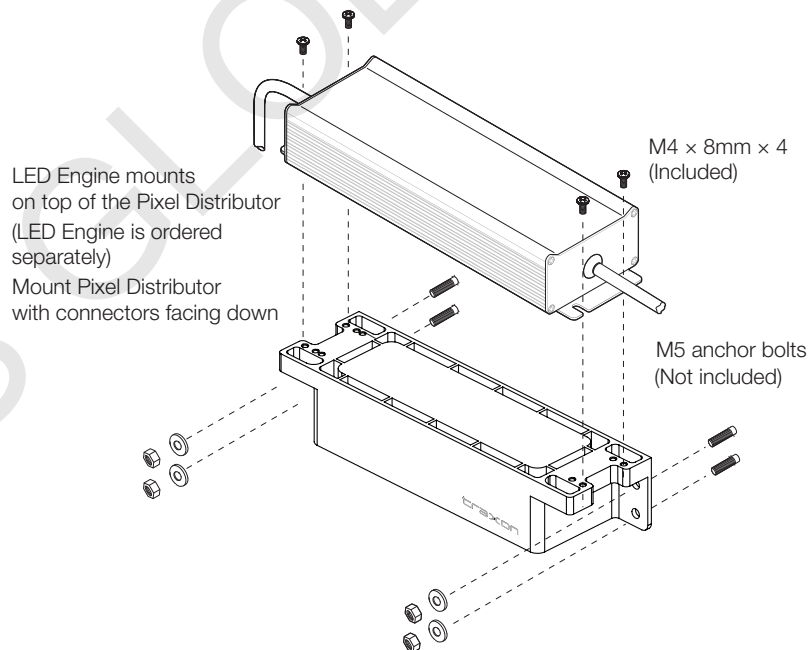
Allegro Dot M CW  
Allegro Dot L CW

Mounting

Dot M/ L



Pixel Distributor









# TRAXON

## Allegro Dot M CW Allegro Dot L CW

Ordering

### Fixtures

Model No.	Description	Item Code
DO.A2.5110010	AL DO M CR CW 50PPF 150P 1.5M WT	N/A
DO.A2.5210010	AL DO M DF CW 50PPF 150P 1.5M WT	N/A
DO.A3.5110010	AL DO L CR CW 40PPF 150P 1.5M WT	N/A
DO.A3.5210010	AL DO L DF CW 40PPF 150P 1.5M WT	N/A

### Standard Accessories

Model No.	Description	Item Code
DO.AD.0001020	ALLEGRO DOT PXL DISTRIBUTOR	AM278810055
DO.AC.0100300	X-LOCK LEAD CABLE 5M 14AWG VS15 TX	AM061830055
DO.AC.0100400	X-LOCK LEAD CABLE 10M 14AWG VS10 TX	AM061850055

### Optional Accessories

Model No.	Description	Item Code
N/A	AL DOT M/L FIELD CUT END CAP	AM355000055

### E:cue Control

Model No.	Description	Item Code
N/A	SYMPL Core S	AB447060035
N/A	SYMPL DMX Node	AB444180035
N/A	SYMPL e:pix Node	AB443930035
EN.BP.0000100	Butler Pro DMX/RDM	AA628600035
EN.BP.0000200	Butler Pro e:pix	AA628610035
EN.BU.0000001	Butler S2	AB436200031
AC.BG.0000001	Butler S2 Garage (Optional)	AA611800031

### TX Connect

Model No.	Description	Item Code
DE.AC.0000100	TX CONNECT Data Indoor/Outdoor Bridge Cable, 5m16.4ft	AA508850055
DE.IC.0060000	TX CONNECT Data Outdoor Cable, 0.6m/1.97ft	AA664580055
DE.IC.0300000	TX CONNECT Data Outdoor Cable, 3m/9.84ft	AA438810055
DE.AC.0100000	RJ45 Male Connector Housing IP67	AA556100155

### TX Power

Model No.	Description	Item Code
N/A	LED ENG 240W 30V IP67 AL DO	AM290860055
N/A	LED ENG 185W 30V IP67 AL DO	AM019480055
N/A	LED ENG 100W 30V IP67 AL DO	AM019490055



TRAXON

[www.traxon-ecue.com](http://www.traxon-ecue.com)

©2023 TRAXON TECHNOLOGIES - AN OSRAM BUSINESS. ALL RIGHTS RESERVED. TRAXON™, TX CONNECT®, ARE TRADEMARKS OF TRAXON TECHNOLOGIES. U.S. PATENTS, E.U. PATENTS, JAPAN PATENTS, OTHER PATENTS PENDING. SPECIFICATIONS ARE SUBJECT TO CHANGE WITHOUT NOTICE.

Product Specification

V1.1 09/23

9 of 9

KPS GLOBAL TRADE CO.,LTD

19/23 Kanchanapisek3 Laksong Bankae Bangkok 10160

Tel: 097-145-4444,02-101-0491,061-445-4963 Email:info.kps.trade@gmail.com