

## LEDENVO+™ LED Street Light Datasheet



PRELIMINARY

LEDENVO+™ LED Street light series is a flexible, easy to maintain LED street light lantern. It is the simplest platform to achieve optimal balance between performance and cost. The luminaire is specially designed for ME1~5 type roads applications.

### Benefits

Flexible power options

- 70W-270W for different field of application

IP66 protection and robust design

- Robust mechanical design for extreme outdoor environment
- Easy to maintain

High efficacy

- Up to 140 lm/W high efficacy

Professional optical design

- Best use of light to the target area while not creating glare to driver and environment

Long lifetime

- 50,000 hours lifetime saving maintenance cost

Environmental friendly

- No hazardous materials

### Applications

- Industrial roads
- Parking lots
- Residential roads
- Rural roads

# LEDENVO+™ LED Street Light

## Technical Data

### Optical Specifications

		70W	90W	120W	150W	180W	210W	240W	270W
<b>Luminous Flux</b>	<b>3000K</b>	9100 lm	11700 lm	15600 lm	19500 lm	23400 lm	27300 lm	31200 lm	35100 lm
	<b>4000K, 5700K</b>	9800 lm	12600 lm	16800 lm	21000 lm	25200 lm	29400 lm	33600 lm	37800 lm
<b>Efficacy</b>	<b>3000K</b>	>130 lm/W							
	<b>4000K, 5700K</b>	>140 lm/W							
<b>CCT</b>		3000K, 4000K, 5700K							
<b>CRI (Ra)</b>		>70							
<b>SDCM</b>		TBD							
<b>Beam Angle</b>		150° x	150° x	150° x	150° x	155° x	155° x	155° x	155° x
		70°	70°	70°	70°	60°	60°	60°	60°

### Electrical and Mechanical Specifications

<b>Input Voltage</b>	100-240V AC 50/60Hz								
<b>Power Consumption</b>		70W	90W	120W	150W	180W	210W	240W	270W
<b>Power Factor</b>		>0.95							
<b>Total Harmonic Distortion</b>		TBD							
<b>ESD Protection</b>		Contact 4KV, Air 8KV							
<b>Surge Protection</b>		Line-to-ground 10KV							
<b>Dimensions</b>	<b>Length</b>	545mm	545mm	666mm	666mm	923mm	923mm	923mm	923mm
	<b>Width</b>	297mm	297mm	297mm	297mm	297mm	297mm	297mm	297mm
	<b>Height</b>	128mm	128mm	128mm	128mm	128mm	128mm	128mm	128mm
<b>Weight</b>		5kg	5kg	5.9kg	5.9kg	7.5kg	7.5kg	7.5kg	7.5kg
<b>Cover Lens</b>		PC lens							
<b>Housing</b>		Die-casting aluminium, RAL9006							

### System Specifications

<b>Power</b>	AC line								
<b>Dimmable</b>	ON/OFF, *time dimming, *1-10V dimming and *PWM dimming (Time dimming, 1-10V dimming and PWM dimming can be customized)								
<b>Mounting Type</b>	Side-entry mounting								
<b>Operating Temperature</b>	-30°C to +50°C								
<b>Storage Temperature</b>	-30°C to +85°C								
<b>Environment</b>	Outdoor (IP66)								
<b>Lumen Maintenance</b>	L70@25°C - 50,000hrs								
<b>Safety Approval</b>	Electrical Protection Class I, CB, CQC, RoHS, EHS								

Due to the special conditions of manufacturing process of LED, the typical data of technical parameters can only reflect statistical figures and do not necessarily correspond to the actual parameters of each single product which could differ from typical data.

Exceeding maximum ratings for operation voltage will cause hazardous overload and will likely destroy the LED module.

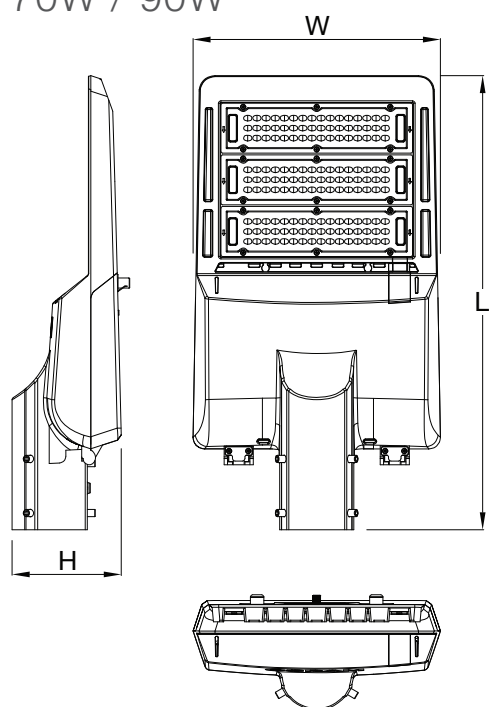
Exceeding maximum ratings for operation and storage temperature will reduce expected life time or destroy the LED module.

09/16 V0.4 Preliminary: Specifications are subject to change without notice. Errors and omission excepted, always make sure to use the most recent release.

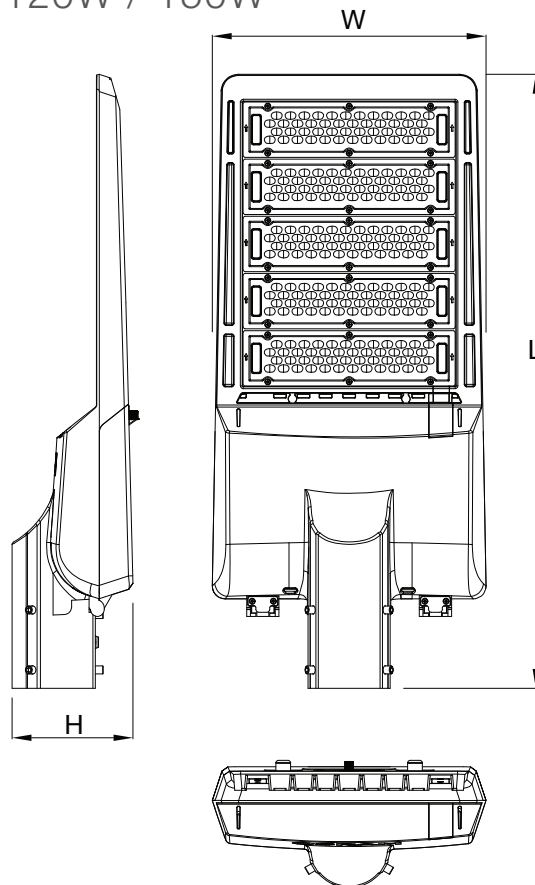
# LEDENVO+™ LED Street Light

## Dimensions

70W / 90W



120W / 150W



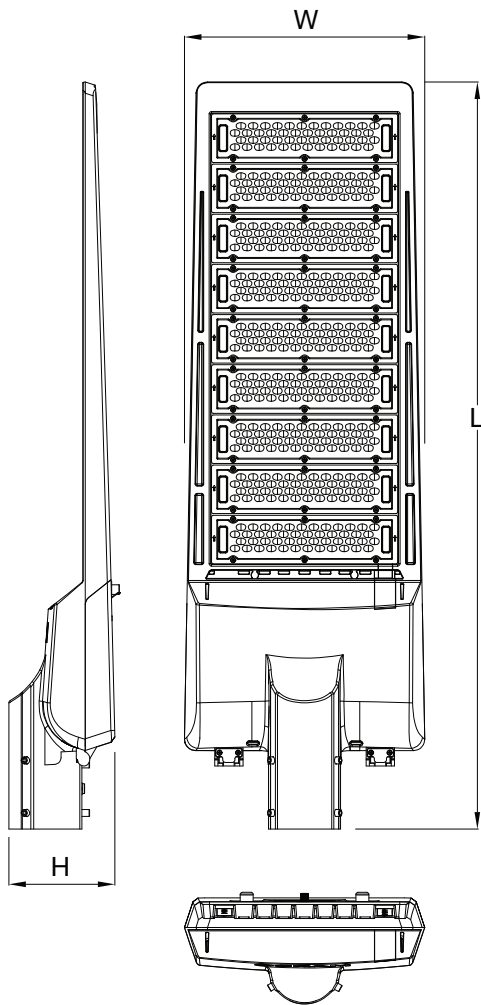
### Dimensions

	70W / 90W	120W / 150W
L	545mm	666mm
W	297mm	297mm
H	128mm	128mm

# LEDENVO+™ LED Street Light

## Dimensions

180W / 210W / 240W / 270W



### Dimensions

180W / 210W / 240W / 270W

L 923mm

W 297mm

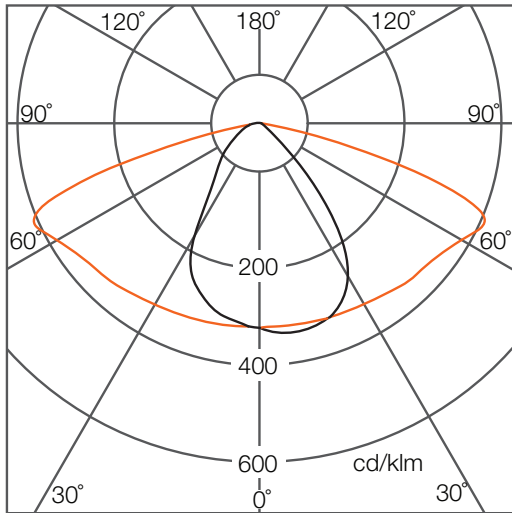
H 128mm

# LEDENVO+™ LED Street Light

## Photometrics

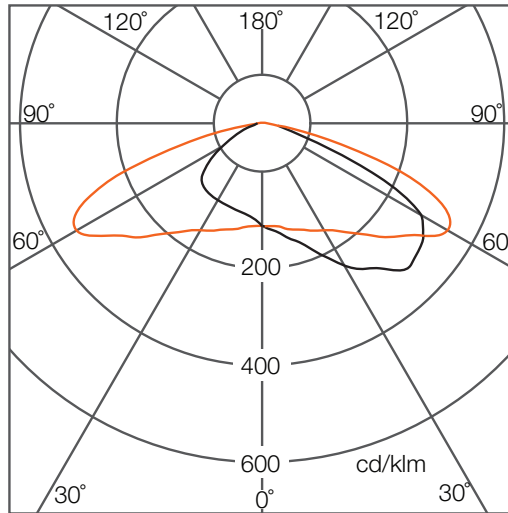
### Light Distribution Curve

70W-150W, 150° × 70°



Tilt Peak Angle: 10°

180W-270W, 155° × 60°



Tilt Peak Angle: 45°

Due to the manufacturing processes of LED, the polar candela distribution and distance luminaries only reflect statistical figures and do not necessarily correspond to the actual parameters of individual product that may differ from the typical values.

09/16 V0.4 Preliminary · Specifications are subject to change without notice. Errors and omission excepted, always make sure to use the most recent release.

©2016 OSRAM GmbH · All rights reserved · Internet [www.lightingsolutions.osram.com/asia](http://www.lightingsolutions.osram.com/asia)

# LEDENVO+™ LED Street Light

## Ordering Codes

### Fixture

Short Text	Power	CCT	Material	EAN40
LEDENVO PLUS LED ST 70W 730 VS1 OSRAM	70W	3000K	AM004440055	4052899458932
LEDENVO PLUS LED ST 70W 740 VS1 OSRAM	70W	4000K	AM004450055	4052899458949
LEDENVO PLUS LED ST 70W 757 VS1 OSRAM	70W	5700K	AM004460055	4052899458956
LEDENVO PLUS LED ST 90W 730 VS1 OSRAM	90W	3000K	AM004470055	4052899458963
LEDENVO PLUS LED ST 90W 740 VS1 OSRAM	90W	4000K	AM004480055	4052899458970
LEDENVO PLUS LED ST 90W 757 VS1 OSRAM	90W	5700K	AM004490055	4052899458987
LEDENVO PLUS LED ST 120W 730 VS1 OSRAM	120W	3000K	AM004500055	4052899458994
LEDENVO PLUS LED ST 120W 740 VS1 OSRAM	120W	4000K	AM004670055	4052899459007
LEDENVO PLUS LED ST 120W 757 VS1 OSRAM	120W	5700K	AM004510055	4052899459014
LEDENVO PLUS LED ST 150W 730 VS1 OSRAM	150W	3000K	AM004520055	4052899459021
LEDENVO PLUS LED ST 150W 740 VS1 OSRAM	150W	4000K	AM004530055	4052899459038
LEDENVO PLUS LED ST 150W 757 VS1 OSRAM	150W	5700K	AM004540055	4052899459045
LEDENVO PLUS LED ST 180W 730 VS1 OSRAM	180W	3000K	AM004550055	4052899459052
LEDENVO PLUS LED ST 180W 740 VS1 OSRAM	180W	4000K	AM004560055	4052899459069
LEDENVO PLUS LED ST 180W 757 VS1 OSRAM	180W	5700K	AM004570055	4052899459076
LEDENVO PLUS LED ST 210W 730 VS1 OSRAM	210W	3000K	AM004580055	4052899459083
LEDENVO PLUS LED ST 210W 740 VS1 OSRAM	210W	4000K	AM004590055	4052899459090
LEDENVO PLUS LED ST 210W 757 VS1 OSRAM	210W	5700K	AM004600055	4052899459106
LEDENVO PLUS LED ST 240W 730 VS1 OSRAM	240W	3000K	AM004610055	4052899459113
LEDENVO PLUS LED ST 240W 740 VS1 OSRAM	240W	4000K	AM004620055	4052899459120
LEDENVO PLUS LED ST 240W 757 VS1 OSRAM	240W	5700K	AM004630055	4052899459137
LEDENVO PLUS LED ST 270W 730 VS1 OSRAM	270W	3000K	AM004640055	4052899459144
LEDENVO PLUS LED ST 270W 740 VS1 OSRAM	270W	4000K	AM004650055	4052899459151
LEDENVO PLUS LED ST 270W 757 VS1 OSRAM	270W	5700K	AM004660055	4052899459168