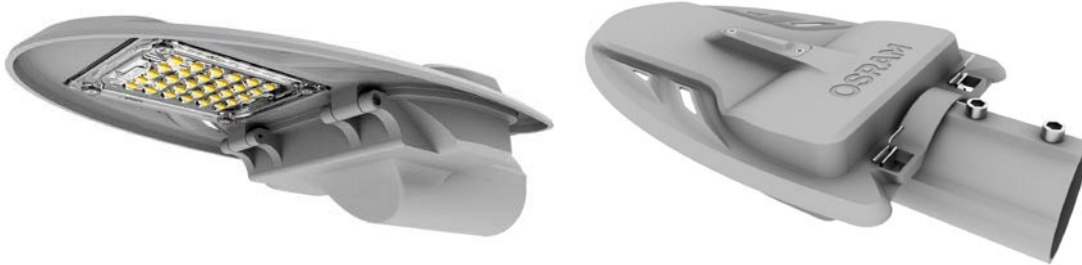


LEDENVO™ LED Street Light Datasheet



LEDENVO™ LED Street light series is a flexible, easy to maintain LED street light lantern. It is the simplest platform to achieve optimal balance between performance and cost. The luminaire is specially designed for ME3~5 type roads applications. DC versions (30W/60W) allow the LED street light to be powered by solar cells.

Benefits

Dual power source

- AC / DC versions provide ultimate flexibility on deployment

IP66 protection and robust design

- Robust mechanical design for extreme outdoor environment
- Easy to maintain

High efficacy

- Up to 120 lm/W high efficacy

Professional optical design

- Best use of light to the target area while not creating glare to driver and environment

Long lifetime

- 50,000 hours lifetime saving maintenance cost

Environmental friendly

- No hazardous materials

Applications

- Industrial roads
- Parking lots
- Residential roads
- Rural roads

LEDENVO™ LED Street Light

Technical Data

Optical Specifications

		30W	60W	90W	120W	150W
Luminous Flux	3000K	3300 lm	6900 lm	10300 lm	14000 lm	17200 lm
	4000K, 5700K	3450 lm	7200 lm	10800 lm	14500 lm	18000 lm
Efficacy	3000K	110 lm/W				
	4000K, 5700K	120 lm/W				
CCT		3000K, 4000K, 5700K				
CRI (Ra)		>70				
SDCM		5				
Beam Angle		150° × 60°	150° × 70°	150° × 70°	150° × 70°	150° × 70°

Electrical and Mechanical Specifications

Input Voltage		100-240V AC 50/60Hz, Solar 12/24V DC		100-240V AC 50/60Hz		
Power Consumption		30W	60W	90W	120W	150W
Power Factor		>0.95				
Total Harmonic Distortion		<15%				
ESD Protection		Contact 4KV, Air 8KV				
Surge Protection		Line-to-line 5KV, Line-to-ground 10KV				
Dimensions	Length	345mm	580mm	580mm	690mm	690mm
	Width	196mm	285mm	285mm	342mm	342mm
	Height	78mm	95mm	95mm	98mm	98mm
Weight		1.3kg	3.3kg	3.5kg	5.8kg	6kg
Cover Lens		PC lens				
Housing		Die-casting aluminium, RAL9006				

System Specifications

Power		AC, DC	AC only			
Dimmable		ON/OFF, *time dimming, *1-10V dimming and *PWM dimming (Time dimming, 1-10V dimming and PWM dimming can be customized except 30W)				
Mounting Type		Side-entry mounting				
Operating Temperature		-30°C to +50°C				
Storage Temperature		-30°C to +85°C				
Environment		Outdoor (IP66)				
Lumen Maintenance		L70@25°C - 50,000hrs				
Safety Approval		Electrical Protection Class I (AC), Electrical Protection Class III (DC), CB, CQC, RoHS, EHS				

Items with * are non-standard items and are available on request. Specification is subject to change due to continuous improvement.

Due to the special conditions of manufacturing process of LED, the typical data of technical parameters can only reflect statistical figures and do not necessarily correspond to the actual parameters of each single product which could differ from typical data.

Exceeding maximum ratings for operation voltage will cause hazardous overload and will likely destroy the LED module.

Exceeding maximum ratings for operation and storage temperature will reduce expected life time or destroy the LED module.

09/16 V1.2 · Specifications are subject to change without notice. Errors and omission excepted, always make sure to use the most recent release.

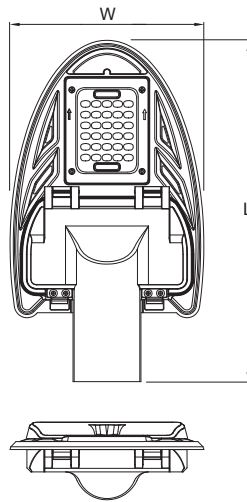
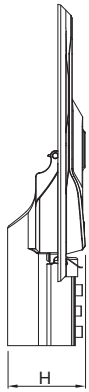
©2016 OSRAM GmbH · All rights reserved · Internet www.lightingsolutions.osram.com/asia

2 of 5

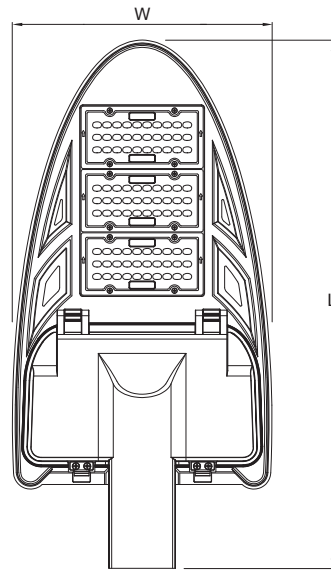
LEDENVO™ LED Street Light

Dimensions

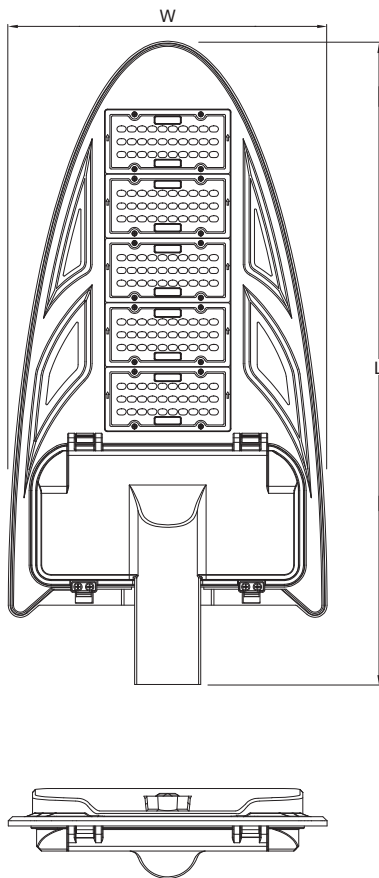
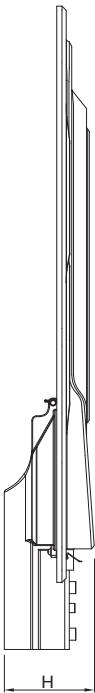
30W



60W/90W



120W/150W



Dimensions

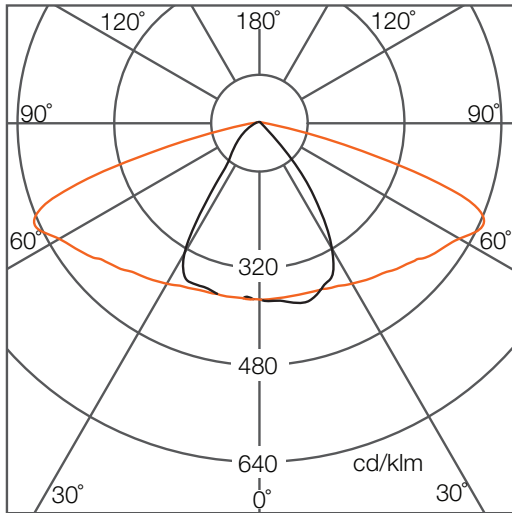
	30W	60W	90W	120W	150W
L	345mm	580mm	580mm	690mm	690mm
W	196mm	285mm	285mm	342mm	342mm
H	78mm	95mm	95mm	98mm	98mm

LEDENVO™ LED Street Light

Photometrics

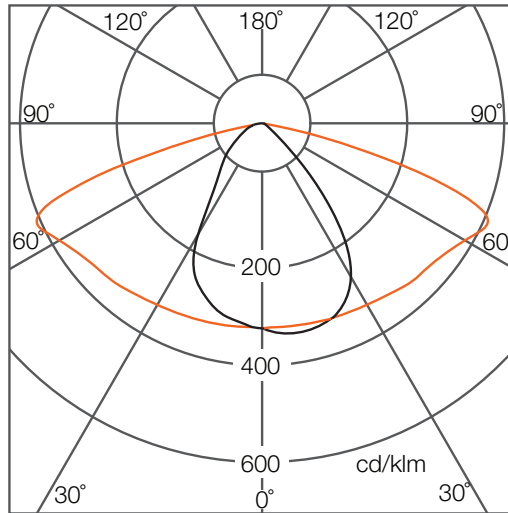
Light Distribution Curve

150° × 60°



Tilt Peak Angle: 15°

150° × 70°



Tilt Peak Angle: 10°

Due to the manufacturing processes of LED, the polar candela distribution and distance luminaries only reflect statistical figures and do not necessarily correspond to the actual parameters of individual product that may differ from the typical values.

09/16 V1.2 · Specifications are subject to change without notice. Errors and omission excepted, always make sure to use the most recent release.

©2016 OSRAM GmbH · All rights reserved · Internet www.lightingsolutions.osram.com/asia

LEDENVO™ LED Street Light

Ordering Codes

Fixture

Short Text	Power		CCT	Material	EAN40
LEDENVO LED ST 30W 730 VS1 OSRAM	30W	AC	3000K	AB459530055	4052899421271
LEDENVO LED ST 30W 740 VS1 OSRAM	30W	AC	4000K	AB459540055	4052899421288
LEDENVO LED ST 30W 757 VS1 OSRAM	30W	AC	5700K	AB459550055	4052899421295
LEDENVO LED ST 30W 730 DC VS1 OSRAM	30W	DC	3000K	AB461620055	4052899421325
LEDENVO LED ST 30W 740 DC VS1 OSRAM	30W	DC	4000K	AB461570055	4052899421301
LEDENVO LED ST 30W 757 DC VS1 OSRAM	30W	DC	5700K	AB461610055	4052899421318
LEDENVO LED ST 60W 730 AC VS1 OSRAM	60W	AC	3000K	AB459560055	4052899450813
LEDENVO LED ST 60W 740 AC VS1 OSRAM	60W	AC	4000K	AB459620055	4052899450967
LEDENVO LED ST 60W 757AC VS1 OSRAM	60W	AC	5700K	AB459630055	4052899450974
LEDENVO LED ST 60W 730 DC VS1 OSRAM	60W	DC	3000K	AB461600055	4052899451049
LEDENVO LED ST 60W 740 DC VS1 OSRAM	60W	DC	4000K	AB461560055	4052899451025
LEDENVO LED ST 60W 757 DC VS1 OSRAM	60W	DC	5700K	AB461590055	4052899451032
LEDENVO LED ST 90W 730 AC VS1 OSRAM	90W	AC	3000K	AB459610055	4052899450905
LEDENVO LED ST 90W 740 AC VS1 OSRAM	90W	AC	4000K	AB459570055	4052899450820
LEDENVO LED ST 90W 757 AC VS1 OSRAM	90W	AC	5700K	AB459640055	4052899450981
LEDENVO LED ST 120W 730 AC VS1 OSRAM	120W	AC	3000K	AB459600055	4052899450875
LEDENVO LED ST 120W 740 AC VS1 OSRAM	120W	AC	4000K	AB459660055	4052899451001
LEDENVO LED ST 120W 757 AC VS1 OSRAM	120W	AC	5700K	AB459650055	4052899450998
LEDENVO LED ST 150W 730 AC VS1 OSRAM	150W	AC	3000K	AB459590055	4052899450844
LEDENVO LED ST 150W 740 AC VS1 OSRAM	150W	AC	4000K	AB459580055	4052899450837
LEDENVO LED ST 150W 757 AC VS1 OSRAM	150W	AC	5700K	AB459670055	4052899451018