

OLUX[®] LED Flood Light

Datasheet



OLUX LED FLOOD is a cost-effective, durable and environmentally-preferable LED flood light series. The IP66 outdoor rated OLUX LED FLOOD S, M and L are designed to replace the traditional HID flood lights with excellent energy savings. OLUX LED FLOOD features slim, rugged aluminum alloy housing and specially designed optics tailor made for various forward lighting applications such as billboard illumination, flood lighting and façade lighting. Advertisers and store owners can be assured that their important company messages will be illuminated brightly through the night all year round. The durable construction and long lifetime offer big savings in maintenance costs, particularly for hard-to-reach installation locations, such as building façades and rooftop billboards. Energy efficient OLUX LED FLOOD delivers smooth consistent light over target area, offers significant cost savings and smaller carbon footprint comparing to traditional HID flood light.

BENEFITS

Replacement to traditional 150W, 250W and 400W HID flood light

- Energy saving alternative to traditional flood lights

Specially designed optics

- Asymmetric optics for billboard lighting;
- Symmetric optics for flood lighting and façade and building illumination

IP66 protection

- Test proven dust & water ingress protection

Light weight and compact

- Brightest LED flood light in its class, and weight comparable to traditional flood lights

Long life time

- 50,000 hours long life time saving maintenance cost, particularly good for hard-to-reach locations such as façades and roof top billboards

APPLICATIONS

- Billboard illumination
- Façade and building illumination
- Area lighting

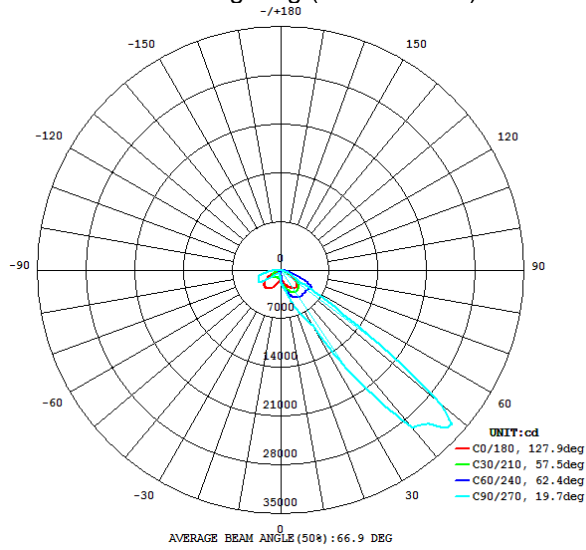
SPECIFICATION

	Parameter	OLUX S	OLUX M	OLUX L	
Light Output ¹ (Base on 5700K NP bin)	Typical Luminous Flux	4000K & 5700K	5000lm	10000lm	20000lm
		3000K	4700lm	9400lm	18800lm
	Luminous Flux Range	4000K & 5700K	4500~5500lm	9000~11000lm	18000~22000lm
		3000K	4200~5200lm	8400~10400lm	16900~20700lm
	LED Quantity		21pcs	42pcs	84pcs
	Light Source		Oslon Square		
	CRI		≥70Ra		
	Lifetime		>50,000 hours (Ta @ 30°C)		
	Beam Angle	Billboard Light	20° × 130°		
		Area Light	60° × 60°		
Narrow Beam		15° × 15°			
Electrical ²	Input Voltage		220~240VAC 50/60Hz		
	Typical Power Consumption		50W	96W	190W
	Power Factor		>0.9		
	Driven Current		700mA		
	Output Voltage		58~68V	110~140V	230~280V
	Inrush Current		<65A		
	THD		<15%		
	ESD Protection		Contact 4kV and Air 8kV		
Surge Protection		3kV (L-N), 6kV [L/N-PE, L+N/PE]			
Mechanical	Dimension (L × W × H)		295 × 305 × 65mm	450 × 305 × 75mm	
	Mounting		Bracket mounting		
	Maintenance		Both driver & LED module can be replaced independently		
	Weight		3kg	3.5kg	5.5kg
Temperature ³	Ambient		-30 °C ~ +45°C (Ta in free air)		
	Storage		-30 °C ~ +85°C		
Standard Compliance	IP Rating		IP66		
	Class		Class I luminaries		
	Standard		CE, IEC 60598-1; IEC 60598-2-5; CISPR 15; IEC 61547; IEC62471		
	Flammability		IEC60695		
	Environment		RoHS		

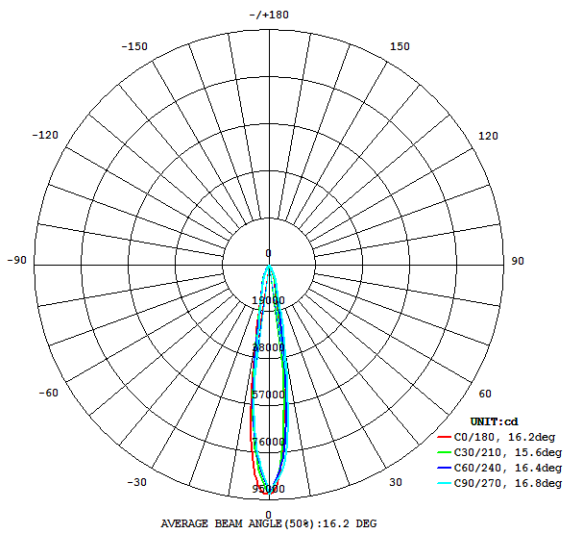
- (1) The typical data of technical parameters can only reflect statistical figures and do not necessarily correspond to the actual parameters of each single product. Actual lumen output can be varied due to many factors like lamp factor of LED, input current/voltage, thermal conditions, optical tolerance, and even measurement tolerance. Therefore the data above is for reference only. If customers have any specific demand on particular parameters, please contact Osram sales or marketing staff for advice.
- (2) Exceeding maximum ratings of operating voltage will cause hazardous overload and will likely destroy the LED luminaire.
- (3) Exceeding maximum ratings for operating and storage temperature will reduce the expected life time or destroy the LED.

PHOTOMETRICS

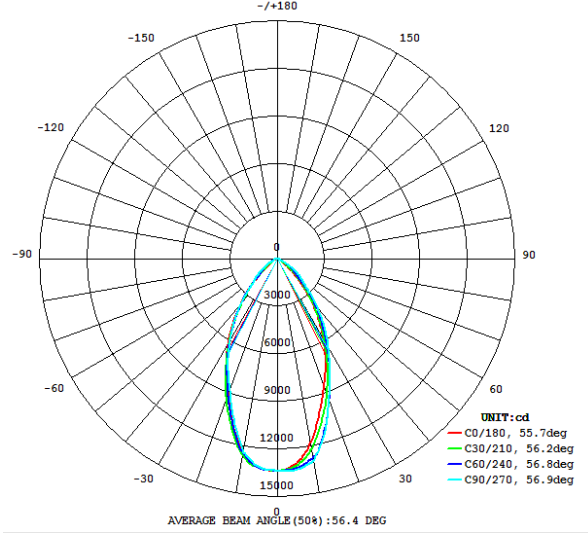
Billboard Lighting (OLUX * AS *)



Narrow Beam Lighting (OLUX * NB *)



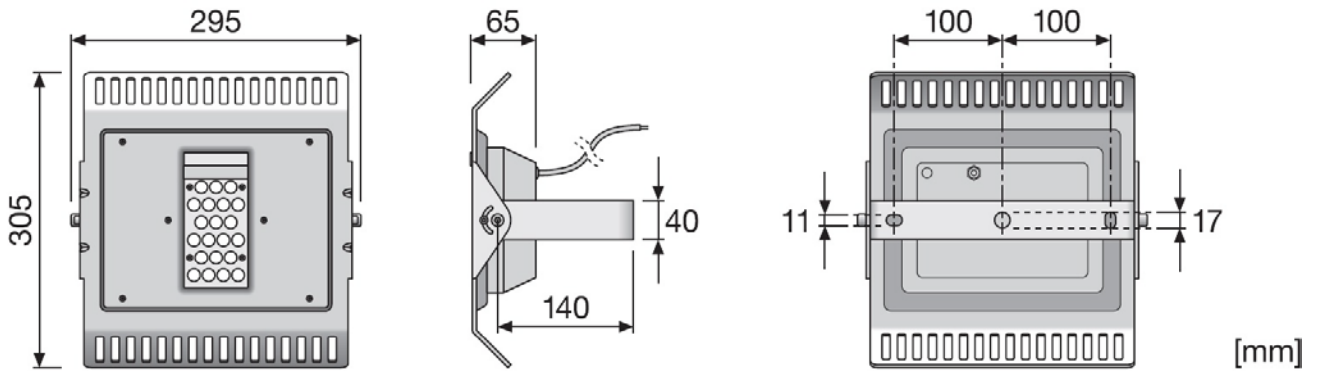
Area Lighting (OLUX * MB *)



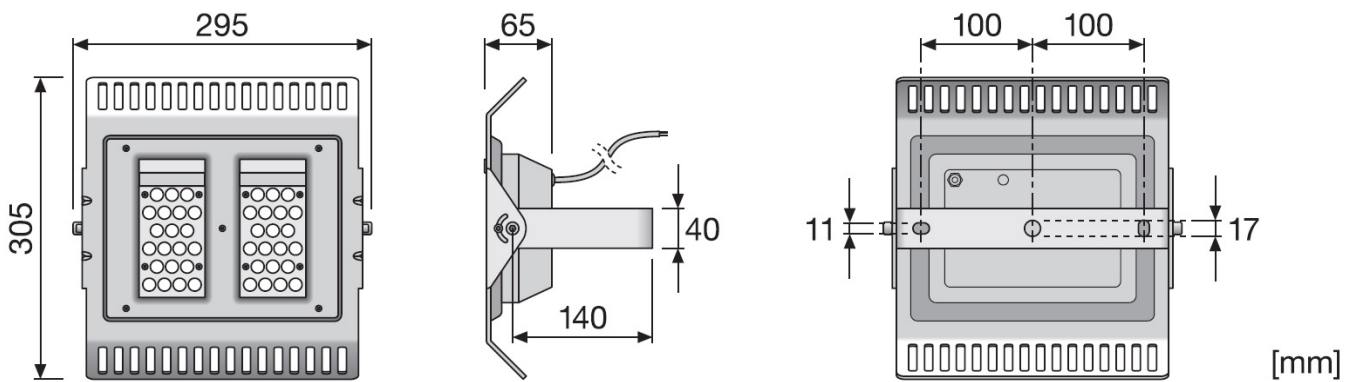
Note: Due to manufacturing processes of LED, the polar candela distribution and distance illuminance only reflect statistical figures and do not necessarily correspond to the actual parameters of individual product, which may differ from the typical values.

DRAWINGS

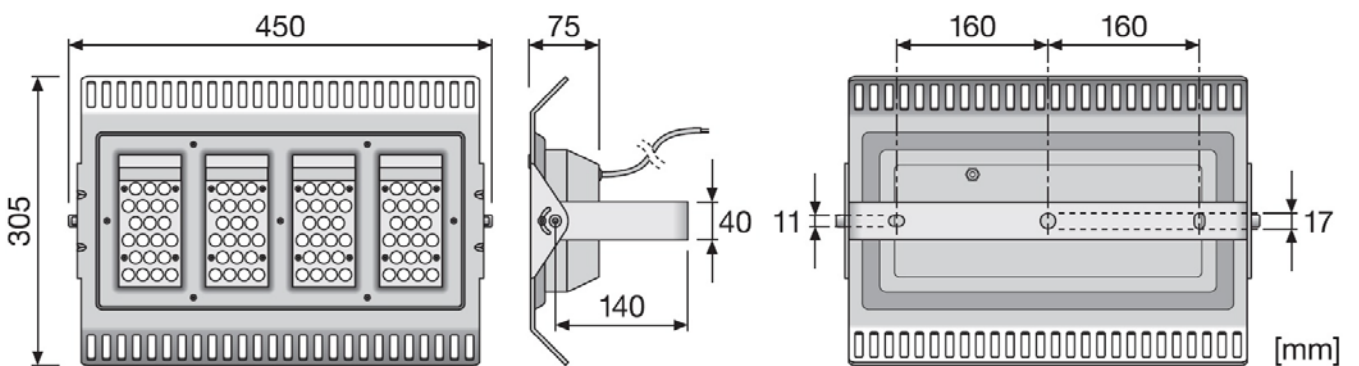
OLUX LED Flood Light 50 W



OLUX LED Flood Light 96 W



OLUX LED Flood Light 190 W



ORDERING CODE**APAC Version**

Short Text	EAN40	Shipping Unit	CCT	Power	Beam Angle
OLUX LED FLOOD S 730 AS VS1 AP OSRAM	4052899321175	1pcs	3000K	50W	20° x 130°
OLUX LED FLOOD S 730 MB VS1 AP OSRAM	4052899321199	1pcs	3000K	50W	60° x 60°
OLUX LED FLOOD S 730 NB VS1 AP OSRAM	4052899321212	1pcs	3000K	50W	15° x 15°
OLUX LED FLOOD S 740 AS VS1 AP OSRAM	4052899321236	1pcs	4000K	50W	20° x 130°
OLUX LED FLOOD S 740 MB VS1 AP OSRAM	4052899321250	1pcs	4000K	50W	60° x 60°
OLUX LED FLOOD S 740 NB VS1 AP OSRAM	4052899321274	1pcs	4000K	50W	15° x 15°
OLUX LED FLOOD S 757 AS VS1 AP OSRAM	4052899321298	1pcs	5700K	50W	20° x 130°
OLUX LED FLOOD S 757 MB VS1 AP OSRAM	4052899321311	1pcs	5700K	50W	60° x 60°
OLUX LED FLOOD S 757 NB VS1 AP OSRAM	4052899321335	1pcs	5700K	50W	15° x 15°
OLUX LED FLOOD M 730 AS VS1 AP OSRAM	4052899320727	1pcs	3000K	96W	20° x 130°
OLUX LED FLOOD M 730 MB VS1 AP OSRAM	4052899321014	1pcs	3000K	96W	60° x 60°
OLUX LED FLOOD M 730 NB VS1 AP OSRAM	4052899321038	1pcs	3000K	96W	15° x 15°
OLUX LED FLOOD M 740 AS VS1 AP OSRAM	4052899321052	1pcs	4000K	96W	20° x 130°
OLUX LED FLOOD M 740 MB VS1 AP OSRAM	4052899321076	1pcs	4000K	96W	60° x 60°
OLUX LED FLOOD M 740 NB VS1 AP OSRAM	4052899321090	1pcs	4000K	96W	15° x 15°
OLUX LED FLOOD M 757 AS VS1 AP OSRAM	4052899321113	1pcs	5700K	96W	20° x 130°
OLUX LED FLOOD M 757 MB VS1 AP OSRAM	4052899321137	1pcs	5700K	96W	60° x 60°
OLUX LED FLOOD M 757 NB VS1 AP OSRAM	4052899321151	1pcs	5700K	96W	15° x 15°
OLUX LED FLOOD L 730 AS VS1 AP OSRAM	4052899318212	1pcs	3000K	190W	20° x 130°
OLUX LED FLOOD L 730 MB VS1 AP OSRAM	4052899320833	1pcs	3000K	190W	60° x 60°
OLUX LED FLOOD L 730 NB VS1 AP OSRAM	4052899320857	1pcs	3000K	190W	15° x 15°
OLUX LED FLOOD L 740 AS VS1 AP OSRAM	4052899320871	1pcs	4000K	190W	20° x 130°
OLUX LED FLOOD L 740 MB VS1 AP OSRAM	4052899320895	1pcs	4000K	190W	60° x 60°
OLUX LED FLOOD L 740 NB VS1 AP OSRAM	4052899320918	1pcs	4000K	190W	15° x 15°
OLUX LED FLOOD L 757 AS VS1 AP OSRAM	4052899320932	1pcs	5700K	190W	20° x 130°
OLUX LED FLOOD L 757 MB VS1 AP OSRAM	4052899320956	1pcs	5700K	190W	60° x 60°
OLUX LED FLOOD L 757 NB VS1 AP OSRAM	4052899320970	1pcs	5700K	190W	15° x 15°

OCN Version

Short Text	EAN40	Shipping Unit	CCT	Power	Beam Angle
OLUX LED FLOOD S 730 AS VS1 CN OSRAM	4052899318540	1pcs	3000K	50W	20° x 130°
OLUX LED FLOOD S 730 MB VS1 CN OSRAM	4052899318557	1pcs	3000K	50W	60° x 60°
OLUX LED FLOOD S 730 NB VS1 CN OSRAM	4052899318564	1pcs	3000K	50W	15° x 15°
OLUX LED FLOOD S 740 AS VS1 CN OSRAM	4052899318588	1pcs	4000K	50W	20° x 130°
OLUX LED FLOOD S 740 MB VS1 CN OSRAM	4052899318595	1pcs	4000K	50W	60° x 60°
OLUX LED FLOOD S 740 NB VS1 CN OSRAM	4052899318601	1pcs	4000K	50W	15° x 15°
OLUX LED FLOOD S 757 AS VS1 CN OSRAM	4052899318694	1pcs	5700K	50W	20° x 130°
OLUX LED FLOOD S 757 MB VS1 CN OSRAM	4052899318700	1pcs	5700K	50W	60° x 60°
OLUX LED FLOOD S 757 NB VS1 CN OSRAM	4052899318717	1pcs	5700K	50W	15° x 15°
OLUX LED FLOOD M 730 AS VS1 CN OSRAM	4052899318724	1pcs	3000K	96W	20° x 130°
OLUX LED FLOOD M 730 MB VS1 CN OSRAM	4052899318731	1pcs	3000K	96W	60° x 60°

OLUX LED FLOOD M 730 NB VS1 CN OSRAM	4052899318748	1pcs	3000K	96W	15° × 15°
OLUX LED FLOOD M 740 AS VS1 CN OSRAM	4052899318755	1pcs	4000K	96W	20° × 130°
OLUX LED FLOOD M 740 MB VS1 CN OSRAM	4052899318762	1pcs	4000K	96W	60° × 60°
OLUX LED FLOOD M 740 NB VS1 CN OSRAM	4052899318779	1pcs	4000K	96W	15° × 15°
OLUX LED FLOOD M 757 AS VS1 CN OSRAM	4052899318786	1pcs	5700K	96W	20° × 130°
OLUX LED FLOOD M 757 MB VS1 CN OSRAM	4052899318793	1pcs	5700K	96W	60° × 60°
OLUX LED FLOOD M 757 NB VS1 CN OSRAM	4052899318809	1pcs	5700K	96W	15° × 15°
OLUX LED FLOOD L 730 AS VS1 CN OSRAM	4052899318816	1pcs	3000K	190W	20° × 130°
OLUX LED FLOOD L 730 MB VS1 CN OSRAM	4052899318823	1pcs	3000K	190W	60° × 60°
OLUX LED FLOOD L 730 NB VS1 CN OSRAM	4052899318830	1pcs	3000K	190W	15° × 15°
OLUX LED FLOOD L 740 AS VS1 CN OSRAM	4052899318847	1pcs	4000K	190W	20° × 130°
OLUX LED FLOOD L 740 MB VS1 CN OSRAM	4052899318854	1pcs	4000K	190W	60° × 60°
OLUX LED FLOOD L 740 NB VS1 CN OSRAM	4052899318861	1pcs	4000K	190W	15° × 15°
OLUX LED FLOOD L 757 AS VS1 CN OSRAM	4052899318878	1pcs	5700K	190W	20° × 130°
OLUX LED FLOOD L 757 MB VS1 CN OSRAM	4052899318885	1pcs	5700K	190W	60° × 60°
OLUX LED FLOOD L 757 NB VS1 CN OSRAM	4052899318915	1pcs	5700K	190W	15° × 15°

SAFETY NOTE

- Luminaire must be installed by a qualified electrician in accordance with all national and local electrical and construction codes and regulation.
- Do not use the luminaire if the lens, housing, or power cables are damaged.
- Do not attempt to install or use the luminaire until you have read and understand the installation instructions.
- Do not power up the system without grounding connection.
- Do not use sharp object to tap or scratch the lens surface.
- Do not use corrosive liquid to clean glass surface, as it may damage the surface gloss.
- Do not suspend the luminaire using the power cable.
- Do not exceed the specified voltage input.