

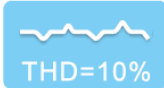
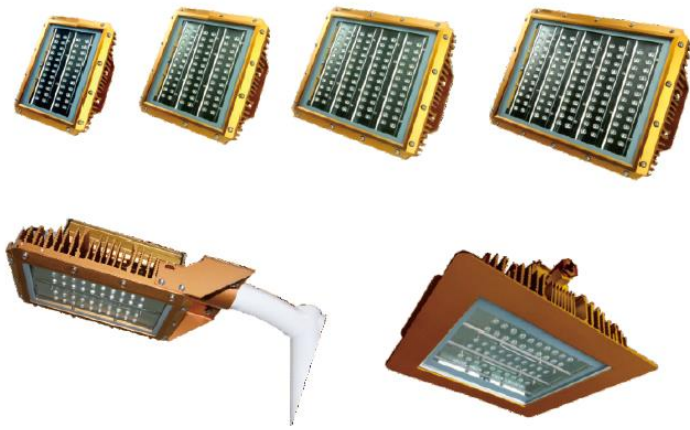
LED Explosion-proof Lighting

LED Floodlight/LED Canopy light/LED Street light

80W / 100W / 120W / 160W / 200W / 240W

Features

- Three types of using. LED Floodlight, LED Canopy light and LED Street light.
- Osram led source, high lumen output over 140lm/W.
- Modular design, available in 80W to 240W.
- Extruded Copper-free Aluminum, high intensity, can endure 20J impact.
- Shock and vibration resistant.
- Own design and produced LED drivers are provide reliable operation in harsh environments.
- Capable to work on extreme high and low temperature -45°C~+60°C, keep good performance.
- IP66 and high corrosion resistance, can be used in ocean environment.
- Lightning protection 6KV, THD≤10%.
- Various installation methods.



Applications

- Ex nR IIC T4 Gc. For Zone 2.
Ex tc IIIC T110°C Dc IP66. For Zone 22.
Especially can be used in hydrogen existing environment.
- Ideal for petroleum, refineries, onshore and offshore rigs, pumping station, petrochemical plants, gas station and external field road lighting, etc.

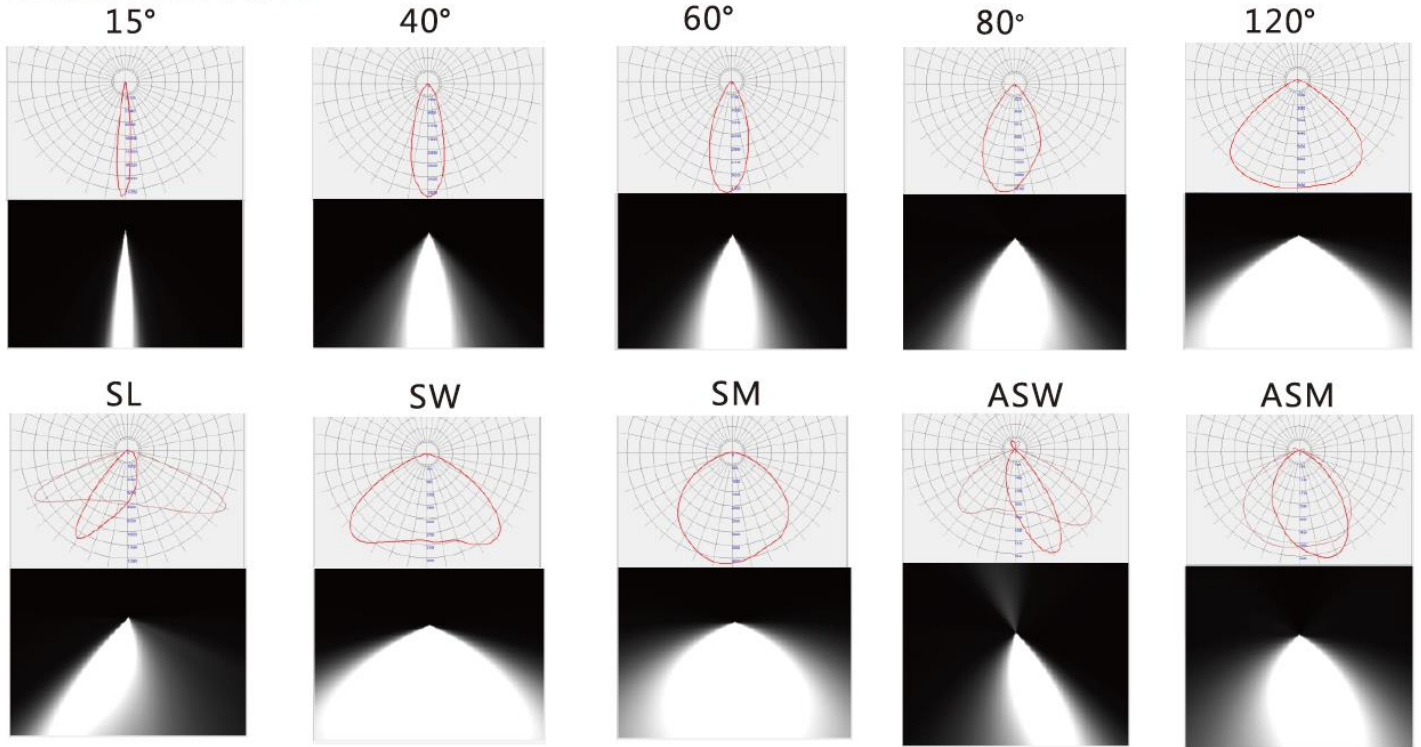
LED lights-Jaguar	80W	100W	120W	160W	200W	240W
Lumen output (lm)	8800lm	10280lm	12480lm	16580lm	20800lm	24800lm
HID/HPS Equiv (approx)	150/175W	175W	250W	250/400W	250/400W	400W

Technical parameters						
	80W	100W	120W	160W	200W	240W
Power consumption	80W	100W	120W	160W	200W	240W
Item No.	Ex-BJG80	Ex-BJG100	Ex-BJG120	Ex-BJG160	Ex-BJG200	Ex-BJG240
Input voltage & frequency	AC 100-277V / 50-60Hz	AC 100-277V / 50-60Hz	AC 100-277V / 50-60Hz	AC 100-277V / 50-60Hz	AC 100-277V / 50-60Hz	AC 100-277V / 50-60Hz
Input current	200-900mA	300-1100mA	400-1300mA	500-1700mA	600-1200mA	700-1300mA
Power factor (PF)	≥ 0.95	≥ 0.95	≥ 0.95	≥ 0.95	≥ 0.95	≥ 0.95
LED chips	OSRAM	OSRAM	OSRAM	OSRAM	OSRAM	OSRAM
Luminous Flux	8800lm	10280lm	12480lm	16580lm	20800lm	24800lm
Colour rendering index (CRI)	Ra >70	Ra >70	Ra >70	Ra >70	Ra >70	Ra >70
Colour temperature	WW:2800-3300K	WW:2800-3300K	WW:2800-3300K	WW:2800-3300K	WW:2800-3300K	WW:2800-3300K
	PW:4700-5400K	PW:4700-5400K	PW:4700-5400K	PW:4700-5400K	PW:4700-5400K	PW:4700-5400K
	CW:5700-7100K	CW:5700-7100K	CW:5700-7100K	CW:5700-7100K	CW:5700-7100K	CW:5700-7100K
Beam angle	15°/40°/60°/80°/120°/SL (NOTE 1)	15°/40°/60°/80°/120°/SL SW/SM/ASW/ASM (NOTE2)	15°/40°/60°/80°/120°/SL SW/SM/ASW/ASM	15°/40°/60°/80°/120°/SL	15°/40°/60°/80°/120°/SL	15°/40°/60°/80°/120°/SL
Working ambient temp.	-45°C~ +60°C	-45°C~ +60°C	-45°C~ +60°C	-45°C~ +60°C	-45°C~ +60°C	-45°C~ +60°C
IP Grade	IP66	IP66	IP66	IP66	IP66	IP66
Lifespan	≥ 50,000 hrs	≥ 50,000 hrs	≥ 50,000 hrs	≥ 50,000 hrs	≥ 50,000 hrs	≥ 50,000 hrs
Housing	Copper free Aluminium	Copper free Aluminium	Copper free Aluminium	Copper free Aluminium	Copper free Aluminium	Copper free Aluminium
Front Cover	Tempered glass	Tempered glass	Tempered glass	Tempered glass	Tempered glass	Tempered glass
Demensions	Φ330*215*150mm	Φ330*330*150mm	Φ330*330*150mm	Φ330*330*150mm	Φ330*380*150mm	Φ330*450*150mm
Weight	9kg	13kg	13kg	16kg	16kg	18kg
Warranty	3 years	3 years	3 years	3 years	3 years	3 years

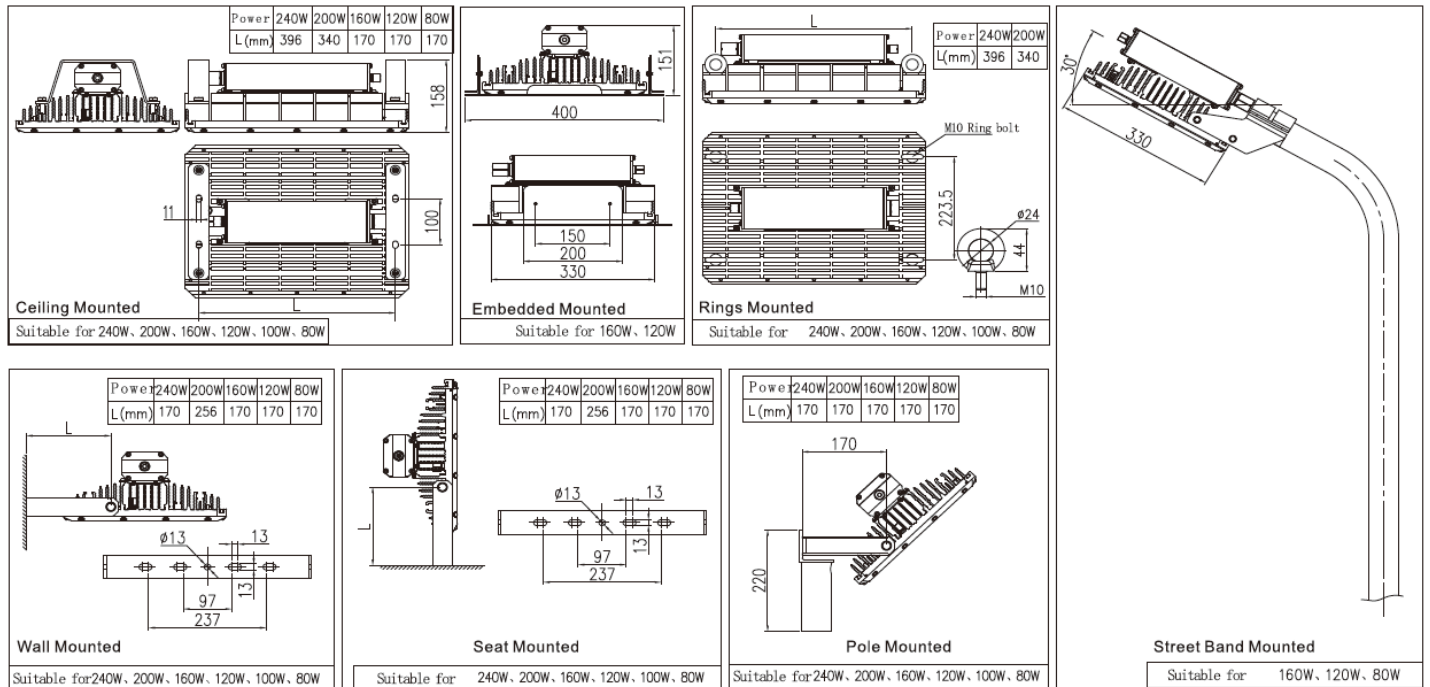
NOTE1 --- SL(Street light)

NOTE2 --- SW-Symmetric wide light, SM-Symmetric middle light, ASW-Asymmetric wide light, ASM-Asymmetric middle light.

Distribution Curve



Installation



Ordering Information

Part number definition as follow:

EX	B	JG	XXX	XX	XX
Type	Brand	Series	Power	Light Distribution	CCTK
EX-Explosion proof		JG-Jaguar	080-80W 100-100W 120-120W 160-160W 200-200W 240-240W	D15-15° D40-40° D60-60° D80-80° D120-120°	SL- Street light SW- Symmetric wide light SM- Symmetric middle light ASW- Asymmetric wide light ASM- Asymmetric middle light
					WW-2800~3300K PW-4700~5400K CW-5700~7100K

For example: Ex-BJG100SWCW