

OPTIVALU PANEL

Data Specification



OPTIVALU PANEL is an ideal solution for office application. Its super slim design and comfort lighting brings users the best lighting experience, in the meantime makes it very suitable for multiple ways of mounting in office.

KEY BENEFITS

- **Slim and Compact Design**
12mm thickness
- **Efficient T5/T8 replacement**
Save 30% energy compared to T5/T8 louver
- **Extra long life time 30,000hrs**
3 times longer life time than T5/T8
- **Various mounting solutions**
Provide Suspend & Recessed mounting solutions

APPLICATIONS

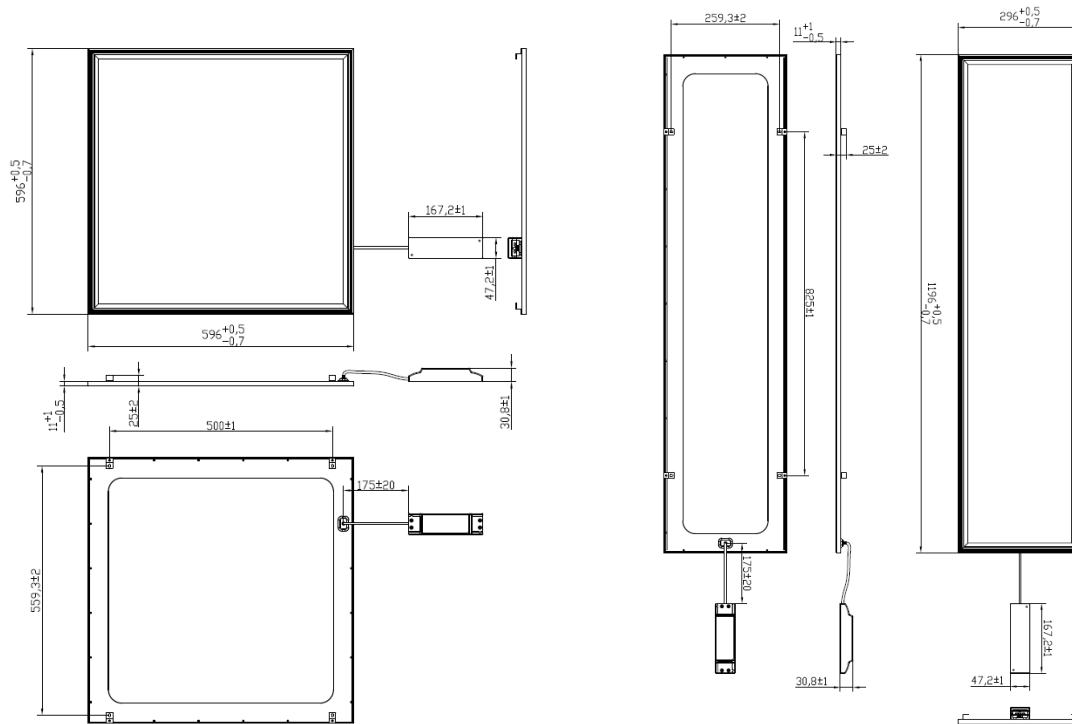
- **Office**
- **General commercial lighting**
- **Decoration**
- **Classroom**
- **Area lighting**

SPECIFICATION

Parameter	OPTIVALU PANEL 830	OPTIVALU PANEL 840	OPTIVALU PANEL 865
Lumens (lm)	2600	2800	3000
Beam Angle	110 °	110 °	110 °
Efficacy (lm/W)	65	70	75
CCT (K)	3000	4000	6000
Color Consistency	5 SDCM	5 SDCM	5 SDCM
CRI	> 80	> 80	> 80
Mains Voltage	100~240VAC 50/60Hz		
Power (typ.)	40W		
Power Factor	0.95		
Dimming	ON/OFF (DALI on request)		
Lifetime (T _a @ 25°C)	30,000 hours @ L70 (Ta=25°C)		
Dimension (mm)	596x 596 x 12(H) / 296 x1196 x 12(H)		
Mounting Hole	580x 580mm / 280x1180mm		
Mounting	Recessed/Surface/Suspend		
Mounting Kits	Surface Mounting Kit and Suspend Mounting Kits (order separately)		
Body Material	Extrusion Aluminum and cold-roll steel sheets		
Body color	White (RAL9003)		
Weight (g)	2,600g		
Ambient (°C)	-20 ... 35°C (T _a in free air)		
Storage (°C)	-40 ... 80°C		
IP Rating	IP20		
Protection Class	II		
Approval Mark	CB ,CCC , CE		
Flammability	F		
Environment	RoHS		

- 1.) Due to the special conditions of manufacturing processes of LED, the typical data of technical parameters can only reflect statistical figures and do not necessarily correspond to the actual parameters of each single product which could differ from the typical data.
- 2.) Exceeding maximum ratings for operation voltage will cause hazardous overload and will likely destroy the LED module.
- 3.) Exceeding maximum ratings for operation and storage temperature will reduce expected life time or destroy the LED module.

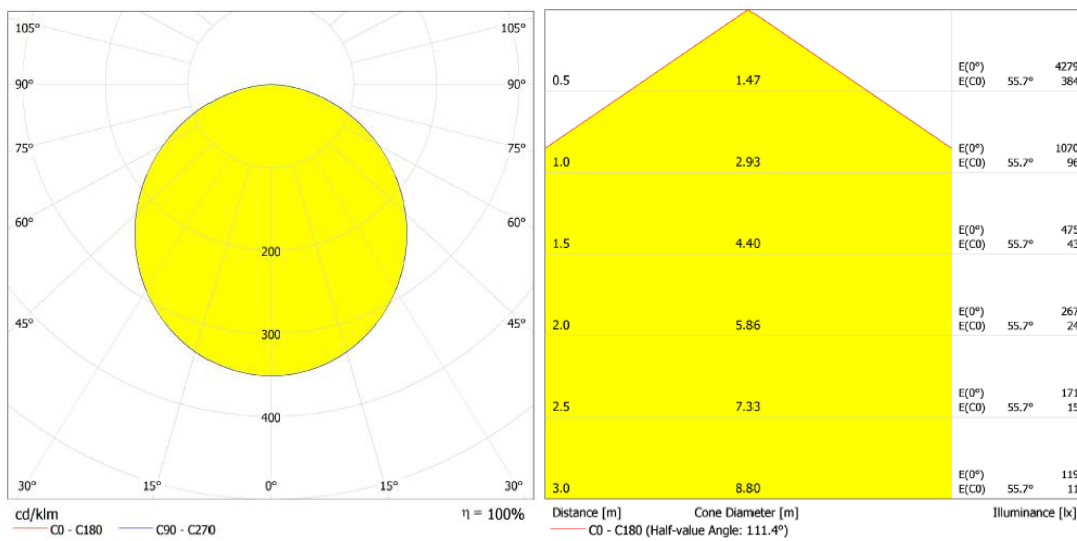
DIMENSION DRAWINGS



PHOTOMETRICS

Luminaire: OSRAM OPTV PANEL 0606 860
Lamps: 1 x LED 6000K

Luminaire: OSRAM OPTV PANEL 0606 860
Lamps: 1 x LED 6000K



Note: Due to manufacturing processes of LED, the polar candela distribution and distance illuminance only reflect statistical figures and do not necessarily correspond to the actual parameters of individual product that may differ from the typical values.

ORDERING CODES

Short Text	Description	EAN10	EAN40
OPTV PANEL 0606 830 5X1 OSRAM	OPTV Panel 2ft*2ft, 3000K	4052899270343	4052899270350
OPTV PANEL 0606 840 5X1 OSRAM	OPTV Panel 2ft*2ft, 4000K	4052899270367	4052899270374
OPTV PANEL 0606 860 5X1 OSRAM	OPTV Panel 2ft*2ft, 6000K	4052899270381	4052899270398
OPTV PANEL 0312 830 5X1 OSRAM	OPTV Panel 1ft*4ft, 3000K	4052899270404	4052899270411
OPTV PANEL 0312 840 5X1 OSRAM	OPTV Panel 1ft*4ft, 4000K	4052899270473	4052899270480
OPTV PANEL 0312 860 5X1 OSRAM	OPTV Panel 1ft*4ft, 6000K	4052899270497	4052899270503

-----END-----