

LEDCOMFO[®] BATTEN FAMILY



LEDCOMFO[®] BATTEN is a high energy-saving LED batten series with light initial investment that allows a quick payback of less than 1 year in the replacement of traditional T5 battens. Meanwhile the HB(High Brightness) version is also available for environments that require brighter & better effects. This product family adopts double injection technology to combine the optical cover and the body part into one slick and glossy linear luminaire giving high uniformity light output and comfortable lighting experience.

BENEFITS

Efficient T5 Traditional Batten Replacement

- 50% energy saving compared to T5 batten

No Dark Spot

- Seamless and continuous light connection

Designed for harsh electrical environment

- Standard for 285V and 1.5KV surge protection

Robust Design

- Double injection technology

Design for you

- Multiple options & configurations

APPLICATION

- Cove lighting
- Indoor contour lighting
- Under shelf lighting
- Light box
- Backlight

SPECIFICATION

Item	Parameter	LED COMFO BATTEN 1FT	LED COMFO BATTEN 2FT	LED COMFO BATTEN 3FT	LED COMFO BATTEN 4FT
Optical ¹	Lumen (lm, typ.)	320lm	560lm	790lm	1,120lm
		335lm	590lm	840lm	1,180lm
		350lm	600lm	860lm	1,200lm
	Beam Angle	130°	130°	130°	130°
	Efficacy (lm/W, typ.)	80lm/w (3000K)	80lm/w (3000K)	80lm/w (3000K)	80lm/w (3000K)
		84lm/w (4000K)	84lm/w (4000K)	84lm/w (4000K)	84lm/w (4000K)
		86lm/w (6500K)	86lm/w (6500K)	86lm/w (6500K)	86lm/w (6500K)
	CCT(K)	3000K/4000K/6500K			
SDCM	<=5 steps				
CRI	>80				
Electrical ²	Input Voltage	100~240VAC(APAC/EN Version) 220~240VAC(CN Version)			
	Power Factor	0.85	0.92	0.92	0.93
	Power	4W	7W	10W	14W
	Max Linkable Qty	35pcs	19pcs	16pcs	12pcs
Mechanical	Dimension(mm)	282L x 38.1H x 27.5W	582L x 38.1H x 27.5W	882L x 38.1H x 27.5W	1182L x 38.1H x 27.5W
	Material	PC			
	Mounting	Surface mount with mounting brackets			
	Weight (g)	140g	210g	280g	360g
Thermal ³	Ambient (°C)	-20 ... +35°C (Ta in free air)			
	Storage (°C)	-30 ... +80°C (measure at Tc point)			
	Lifetime	35,000 hours@L70 (Ta=25°C)			
Certifications	Approbations	CCC/CB/CE			
	Protection Class	IP 20, Class II			
	Environment	RoHS			

1) The optical technical parameters shown above are typical data can only reflect statistical figures and do not necessarily correspond to the individual product measurement which could deviate from the typical data within ±10%.

2) Exceeding maximum ratings for operation voltage will cause hazardous overload and will destroy the LED luminaire.

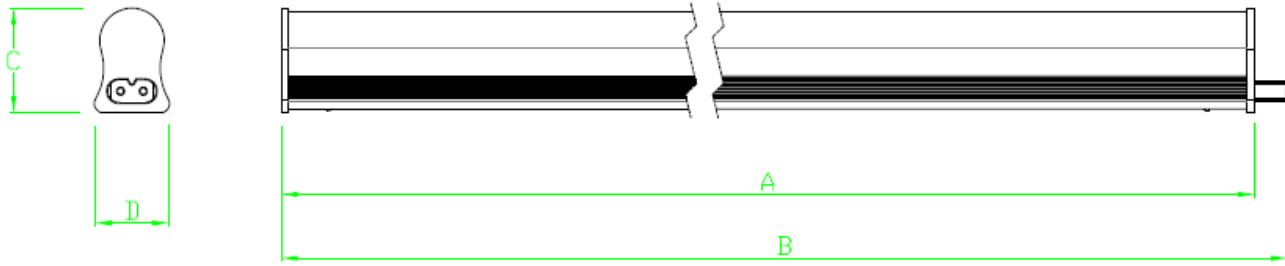
3) Exceeding maximum ratings for operation and storage temperature will reduce expected life time or destroy the LED luminaire.

SPECIFICATION

Item	Parameter	LED COMFO BATTEN HB 1FT	LED COMFO BATTEN HB 2FT	LED COMFO BATTEN HB 3FT	LED COMFO BATTEN HB 4FT
Optical ¹	Lumen (lm, typ.)	470lm	880lm	1,350lm	1,750lm
		500lm	920lm	1,430lm	1,900lm
		515lm	940lm	1,460lm	1,950lm
	Beam Angle	130°	130°	130°	130°
	Efficacy (lm/W, typ.)	80lm/w (3000K)	80lm/w (3000K)	80lm/w (3000K)	80lm/w (3000K)
		84lm/w (4000K)	84lm/w (4000K)	84lm/w (4000K)	84lm/w (4000K)
		86lm/w (6500K)	86lm/w (6500K)	86lm/w (6500K)	86lm/w (6500K)
	CCT(K)	3000K/4000K/6500K			
SDCM	<=5 steps				
CRI	>80				
Electrical ²	Input Voltage	100~240VAC(APAC/IN Version) 220~240VAC(CN/EN Version)			
	Power Factor	0.86	0.92	0.95	0.96
	Power	6W	11W	17W	22W
	Max Linkable Qty	23pcs	16pcs	10pcs	8pcs
Mechanical	Dimension(mm)	282L x 38.1H x 27.5W	582L x 38.1H x 27.5W	882L x 38.1H x 27.5W	1182L x 38.1H x 27.5W
	Material	PC			
	Mounting	Surface mount with mounting brackets			
	Weight (g)	140g	210g	280g	360g
Thermal ³	Ambient (°C)	-20 ... +35°C (Ta in free air)			
	Storage (°C)	-30 ... +80°C (measure at Tc point)			
	Lifetime	25,000 hours@L70 (Ta=25°C)			
Certifications	Approbations	CCC/CB/CE			
	Protection Class	IP 20, Class II			
	Environment	RoHS			

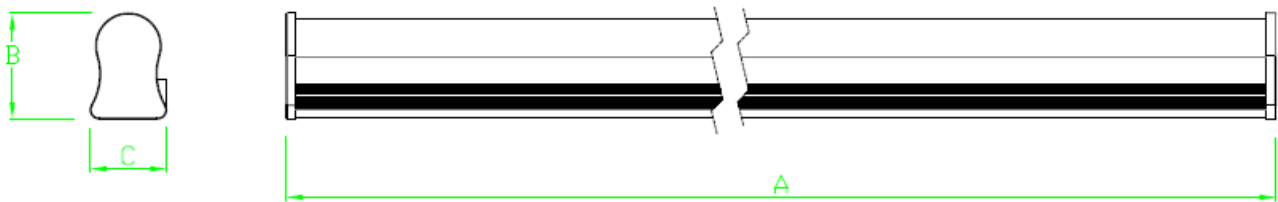
- 1) The optical technical parameters shown above are typical data can only reflect statistical figures and do not necessarily correspond to the individual product measurement which could deviate from the typical data within ±10%.
- 2) Exceeding maximum ratings for operation voltage will cause hazardous overload and will destroy the LED luminaire.
- 3) Exceeding maximum ratings for operation and storage temperature will reduce expected life time or destroy the LED luminaire.

DRAWING & DIMENSIONS



China and APAC Version (Inter-Connection) (mm)

	1ft	2ft	3ft	4ft
A	270 ± 0.5	570 ± 1	870 ± 1.5	1170 ± 2
B	282 ± 0.5	582 ± 1	882 ± 1.5	1182 ± 2
C	38.1 ± 0.2	38.1 ± 0.2	38.1 ± 0.2	38.1 ± 0.2
D	27.5 ± 0.2	27.5 ± 0.2	27.5 ± 0.2	27.5 ± 0.2



HB IN Version (Cable at central) (mm)

	1ft HB	2ft HB	4ft HB
A	270 ± 0.5	570 ± 1	1170 ± 2
B	38.1 ± 0.2	38.1 ± 0.2	38.1 ± 0.2
C	27.5 ± 0.2	27.5 ± 0.2	27.5 ± 0.2

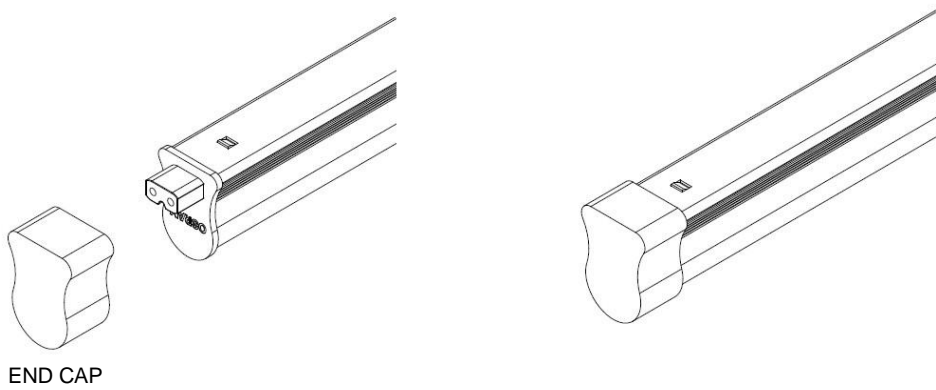
ACCESSORIES (Refer to product description if it's included in the package, also can be ordered separately)



INTERCONNECTION CABLE 25CM



POWER CONNECTION CABLE 25CM POWER
 CONNECTION CABLE 40CM POWER
 CONNECTION CABLE 55CM POWER
 CONNECTION CABLE 77CM

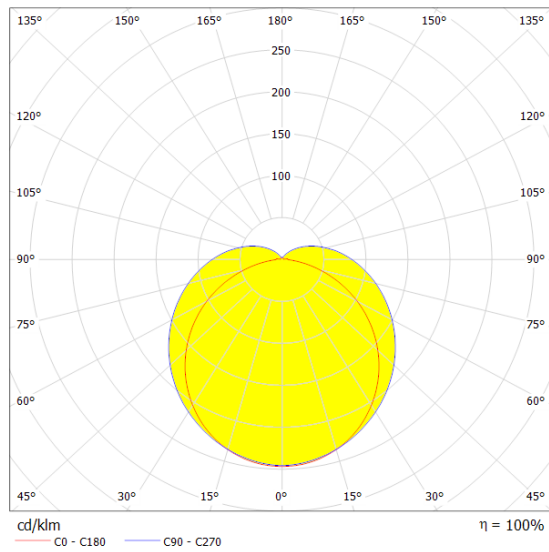


END CAP

Remark: A pair of mounting brackets and screws are always included in the package

PHOTOMETRICS

Luminaire: OSRAM LEDCOMFO BAT HB 0306 830
Lamps: 1 x LED 3000K



Luminaire: OSRAM LEDCOMFO BAT HB 0306 830
Lamps: 1 x LED 3000K

Distance [m]	Cone Diameter [m]	E(0°)	E(C90)	E(C0)	Illuminance [lx]
0.5	3.15 1.46	444	72.4°	55.6°	6 40
1.0	6.30 2.92	111	72.4°	55.6°	2 10
1.5	9.46 4.38	49	72.4°	55.6°	1 4
2.0	12.61 5.84	28	72.4°	55.6°	0 3
2.5	15.76 7.30	18	72.4°	55.6°	0 2
3.0	18.91 8.76	12	72.4°	55.6°	0 1

Distance [m] Cone Diameter [m] Illuminance [lx]

— C0 - C180 (Half-value Angle: 111.2°)
— C90 - C270 (Half-value Angle: 144.8°)

- Due to the special conditions of manufacturing processes of LED, the luminous Intensity distribution diagram only reflects statistical figures, and does not necessarily correspond to the actual parameters of each single product whose performance might differ from the typical data.

ORDERING CODES

LED COMFO BATTEN HB

Short Text	Description	EAN10	EAN40
LED COMFO BAT HB 0306 830 CN/EN 40X1 OSRAM	LED COMFO BATTEN HB 1ft 3000K CN/EN 220-240V	4052899268562	4052899268579
LED COMFO BAT HB 0306 840 CN/EN 40X1 OSRAM	LED COMFO BATTEN HB 1ft 4000K CN/EN 220-240V	4052899268586	4052899268593
LED COMFO BAT HB 0306 865 CN/EN 40X1 OSRAM	LED COMFO BATTEN HB 1ft 6500K CN/EN 220-240V	4052899268609	4052899268616
LED COMFO BAT HB 0611 830 CN/EN 40X1 OSRAM	LED COMFO BATTEN HB 2ft 3000K CN/EN 220-240V	4052899268623	4052899268630
LED COMFO BAT HB 0611 840 CN/EN 40X1 OSRAM	LED COMFO BATTEN HB 2ft 4000K CN/EN 220-240V	4052899268647	4052899268654
LED COMFO BAT HB 0611 865 CN/EN 40X1 OSRAM	LED COMFO BATTEN HB 2ft 6500K CN/EN 220-240V	4052899268661	4052899268678
LED COMFO BAT HB 0917 830 CN/EN 40X1 OSRAM	LED COMFO BATTEN HB 3ft 3000K CN/EN 220-240V	4052899268685	4052899268692
LED COMFO BAT HB 0917 840 CN/EN 40X1 OSRAM	LED COMFO BATTEN HB 3ft 4000K CN/EN 220-240V	4052899268708	4052899268715
LED COMFO BAT HB 0917 865 CN/EN 40X1 OSRAM	LED COMFO BATTEN HB 3ft 6500K CN/EN 220-240V	4052899268722	4052899268739
LED COMFO BAT HB 1222 830 CN/EN 40X1 OSRAM	LED COMFO BATTEN HB 4ft 3000K CN/EN 220-240V	4052899268746	4052899268753
LED COMFO BAT HB 1222 840 CN/EN 40X1 OSRAM	LED COMFO BATTEN HB 4ft 4000K CN/EN 220-240V	4052899268760	4052899268777
LED COMFO BAT HB 1222 865 CN/EN 40X1 OSRAM	LED COMFO BATTEN HB 4ft 6500K CN/EN 220-240V	4052899268784	4052899268791
LED COMFO BAT HB 0306 830 APAC 40X1 OSRAM	LED COMFO BATTEN HB 1ft 3000K APAC 100-240V, 25cm Power Cable & End Cap	4052899268807	4052899268814
LED COMFO BAT HB 0306 840 APAC 40X1 OSRAM	LED COMFO BATTEN HB 1ft 4000K APAC 100-240V, 25cm Power Cable & End Cap	4052899268821	4052899268838
LED COMFO BAT HB 0306 865 APAC 40X1 OSRAM	LED COMFO BATTEN HB 1ft 6500K APAC 100-240V, 25cm Power Cable & End Cap	4052899268845	4052899268852
LED COMFO BAT HB 0611 830 APAC 40X1 OSRAM	LED COMFO BATTEN HB 2ft 3000K APAC 100-240V, 40cm Power Cable & End Cap	4052899268869	4052899268876
LED COMFO BAT HB 0611 840 APAC 40X1 OSRAM	LED COMFO BATTEN HB 2ft 4000K APAC 100-240V, 40cm Power Cable & End Cap	4052899268883	4052899268890
LED COMFO BAT HB 0611 865 APAC 40X1 OSRAM	LED COMFO BATTEN HB 2ft 6500K APAC 100-240V, 40cm Power Cable & End Cap	4052899268920	4052899268937
LED COMFO BAT HB 0917 830 APAC 40X1 OSRAM	LED COMFO BATTEN HB 3ft 3000K APAC 100-240V, 55cm Power Cable & End Cap	4052899268944	4052899268951
LED COMFO BAT HB 0917 840 APAC 40X1 OSRAM	LED COMFO BATTEN HB 3ft 4000K APAC 100-240V, 55cm Power Cable & End Cap	4052899268968	4052899268975
LED COMFO BAT HB 0917 865 APAC 40X1 OSRAM	LED COMFO BATTEN HB 3ft 6500K APAC 100-240V, 55cm Power Cable & End Cap	4052899268982	4052899268999
LED COMFO BAT HB 1222 830 APAC 40X1 OSRAM	LED COMFO BATTEN HB 4ft 3000K APAC 100-240V, 77cm Power Cable & End Cap	4052899269002	4052899269019
LED COMFO BAT HB 1222 840 APAC 40X1 OSRAM	LED COMFO BATTEN HB 4ft 4000K APAC 100-240V, 77cm Power Cable & End Cap	4052899269026	4052899269033
LED COMFO BAT HB 1222 865 APAC 40X1 OSRAM	LED COMFO BATTEN HB 4ft 6500K APAC 100-240V, 77cm Power Cable & End Cap	4052899269040	4052899269057
LED COMFO BAT HB 0306 830 IN 40X1	LED COMFO BATTEN HB 1ft 3000K IN 100-	4052899273122	4052899273139

OSRAM	240V, 15cm Central Cable		
LED COMFO BAT HB 0306 865 IN 40X1 OSRAM	LED COMFO BATTEN HB 1ft 6500K IN 100-240V, 15cm Central Cable	4052899273146	4052899273153
LED COMFO BAT HB 0611 830 IN 40X1 OSRAM	LED COMFO BATTEN HB 2ft 3000K IN 100-240V, 15cm Central Cable	4052899273160	4052899273177
LED COMFO BAT HB 0611 865 IN 40X1 OSRAM	LED COMFO BATTEN HB 2ft 6500K IN 100-240V, 15cm Central Cable	4052899273184	4052899273191
LED COMFO BAT HB 1222 830 IN 40X1 OSRAM	LED COMFO BATTEN HB 4ft 3000K IN 100-240V, 15cm Central Cable	4052899273207	4052899273214
LED COMFO BAT HB 1222 865 IN 40X1 OSRAM	LED COMFO BATTEN HB 4ft 6500K IN 100-240V, 15cm Central Cable	4052899273221	4052899273238

LED COMFO BATTEN

Short Text	Description	EAN10	EAN40
LED COMFO BAT 0304 830 CN 40X1 OSRAM	LED COMFO Batten 1ft 3000K CN 220-240V	4052899273870	4052899273887
LED COMFO BAT 0304 840 CN 40X1 OSRAM	LED COMFO Batten 1ft 4000K CN 220-240V	4052899273894	4052899273900
LED COMFO BAT 0304 865 CN 40X1 OSRAM	LED COMFO Batten 1ft 6500K CN 220-240V	4052899273917	4052899273924
LED COMFO BAT 0607 830 CN 40X1 OSRAM	LED COMFO Batten 2ft 3000K CN 220-240V	4052899273931	4052899273948
LED COMFO BAT 0607 840 CN 40X1 OSRAM	LED COMFO Batten 2ft 4000K CN 220-240V	4052899273955	4052899273962
LED COMFO BAT 0607 865 CN 40X1 OSRAM	LED COMFO Batten 2ft 6500K CN 220-240V	4052899273979	4052899273986
LED COMFO BAT 0910 830 CN 40X1 OSRAM	LED COMFO Batten 3ft 3000K CN 220-240V	4052899273993	4052899274006
LED COMFO BAT 0910 840 CN 40X1 OSRAM	LED COMFO Batten 3ft 4000K CN 220-240V	4052899274013	4052899274020
LED COMFO BAT 0910 865 CN 40X1 OSRAM	LED COMFO Batten 3ft 6500K CN 220-240V	4052899274037	4052899274044
LED COMFO BAT 1214 830 CN 40X1 OSRAM	LED COMFO Batten 4ft 3000K CN 220-240V	4052899274051	4052899274068
LED COMFO BAT 1214 840 CN 40X1 OSRAM	LED COMFO Batten 4ft 4000K CN 220-240V	4052899274075	4052899274082
LED COMFO BAT 1214 865 CN 40X1 OSRAM	LED COMFO Batten 4ft 6500K CN 220-240V	4052899274099	4052899274105
LED COMFO BAT 0304 830 APAC 40X1 OSRAM	LED COMFO Batten 1ft 3000K APAC 100-240V	4052899274112	4052899274129
LED COMFO BAT 0304 840 APAC 40X1 OSRAM	LED COMFO Batten 1ft 4000K APAC 100-240V	4052899274136	4052899274143
LED COMFO BAT 0304 865 APAC 40X1 OSRAM	LED COMFO Batten 1ft 6500K APAC 100-240V	4052899274150	4052899274167
LED COMFO BAT 0607 830 APAC 40X1 OSRAM	LED COMFO Batten 2ft 3000K APAC 100-240V	4052899274174	4052899274181
LED COMFO BAT 0607 840 APAC 40X1 OSRAM	LED COMFO Batten 2ft 4000K APAC 100-240V	4052899274198	4052899274204
LED COMFO BAT 0607 865 APAC 40X1 OSRAM	LED COMFO Batten 2ft 6500K APAC 100-240V	4052899274211	4052899274228
LED COMFO BAT 0910 830 APAC 40X1 OSRAM	LED COMFO Batten 3ft 3000K APAC 100-240V	4052899274235	4052899274242
LED COMFO BAT 0910 840 APAC 40X1 OSRAM	LED COMFO Batten 3ft 4000K APAC 100-240V	4052899274259	4052899274266
LED COMFO BAT 0910 865 APAC 40X1 OSRAM	LED COMFO Batten 3ft 6500K APAC 100-240V	4052899274273	4052899274280

LED COMFO BAT 1214 830 APAC 40X1 OSRAM	LED COMFO Batten 4ft 3000K APAC 100-240V	4052899274297	4052899274303
LED COMFO BAT 1214 840 APAC 40X1 OSRAM	LED COMFO Batten 4ft 4000K APAC 100-240V	4052899274310	4052899274327
LED COMFO BAT 1214 865 APAC 40X1 OSRAM	LED COMFO Batten 4ft 6500K APAC 100-240V	4052899274334	4052899274341
LED COMFO BAT 0304 830 EN 40X1 OSRAM	LED COMFO Batten 1ft 3000K EN 100-240V, 25cm Power Cable & End Cap	4052899272279	4052899272286
LED COMFO BAT 0304 840 EN 40X1 OSRAM	LED COMFO Batten 1ft 4000K EN 100-240V, 25cm Power Cable & End Cap	4052899272293	4052899272309
LED COMFO BAT 0304 865 EN 40X1 OSRAM	LED COMFO Batten 1ft 6500K EN 100-240V, 25cm Power Cable & End Cap	4052899272316	4052899272323
LED COMFO BAT 0607 830 EN 40X1 OSRAM	LED COMFO Batten 2ft 3000K EN 100-240V, 40cm Power Cable & End Cap	4052899272330	4052899272347
LED COMFO BAT 0607 840 EN 40X1 OSRAM	LED COMFO Batten 2ft 4000K EN 100-240V, 40cm Power Cable & End Cap	4052899272354	4052899272361
LED COMFO BAT 0607 865 EN 40X1 OSRAM	LED COMFO Batten 2ft 6500K EN 100-240V, 40cm Power Cable & End Cap	4052899272989	4052899272996
LED COMFO BAT 0910 830 EN 40X1 OSRAM	LED COMFO Batten 3ft 3000K EN 100-240V, 55cm Power Cable & End Cap	4052899273009	4052899273016
LED COMFO BAT 0910 840 EN 40X1 OSRAM	LED COMFO Batten 3ft 4000K EN 100-240V, 55cm Power Cable & End Cap	4052899273023	4052899273030
LED COMFO BAT 0910 865 EN 40X1 OSRAM	LED COMFO Batten 3ft 6500K EN 100-240V, 55cm Power Cable & End Cap	4052899273047	4052899273054
LED COMFO BAT 1214 830 EN 40X1 OSRAM	LED COMFO Batten 4ft 3000K EN 100-240V, 77cm Power Cable & End Cap	4052899273061	4052899273078
LED COMFO BAT 1214 840 EN 40X1 OSRAM	LED COMFO Batten 4ft 4000K EN 100-240V, 77cm Power Cable & End Cap	4052899273085	4052899273092
LED COMFO BAT 1214 865 EN 40X1 OSRAM	LED COMFO Batten 4ft 6500K EN 100-240V, 77cm Power Cable & End Cap	4052899273108	4052899273115

Short Text	Description	EAN10	EAN40
LDCMF BAT INTER CABLE 25CM 20X20 OSRAM	Interconnect Cable male/female 25cm	4052899931626	4052899931688
LDCMF BAT P-IN CABLE 25CM 20X20 OSRAM	Power in cable 25cm	4052899931633	4052899931695
LDCMF BAT P-IN CABLE 40CM 20X20 OSRAM	Power in cable 40cm	4052899931640	4052899931701
LDCMF BAT P-IN CABLE 55CM 20X20 OSRAM	Power in cable 55cm	4052899931657	4052899931718
LDCMF BAT P-IN CABLE 77CM 20X20 OSRAM	Power in cable 77cm	4052899931664	4052899931725
LDCMF BAT END CAP 20X20 OSRAM	Special end cap	4052899931671	4052899931732

SAFETY INFORMATION

- The product and all its components cannot be mechanical stressed.
- This product must be installed by a licensed electrician strictly in accordance with the currently effective regulations related to the installation to be undertaken within the particular region.
- Damage by corrosion will not be considered as a materials defect claim. It is the user's responsibility to provide suitable protection against corrosive agents such as moisture and condensation and other harmful elements.

-----END-----